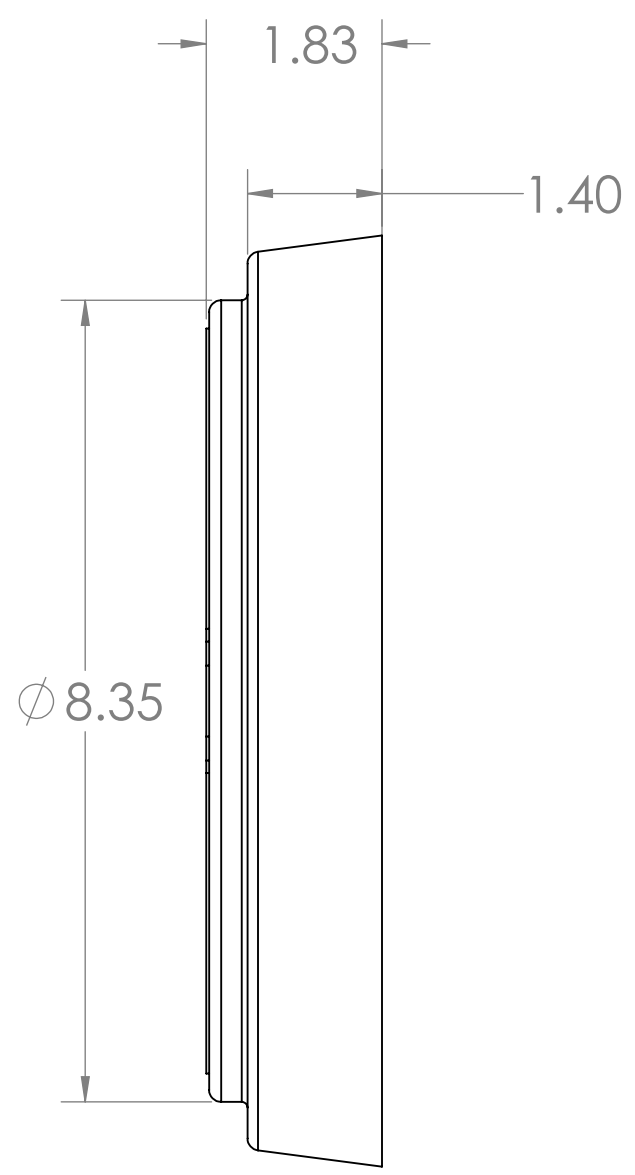
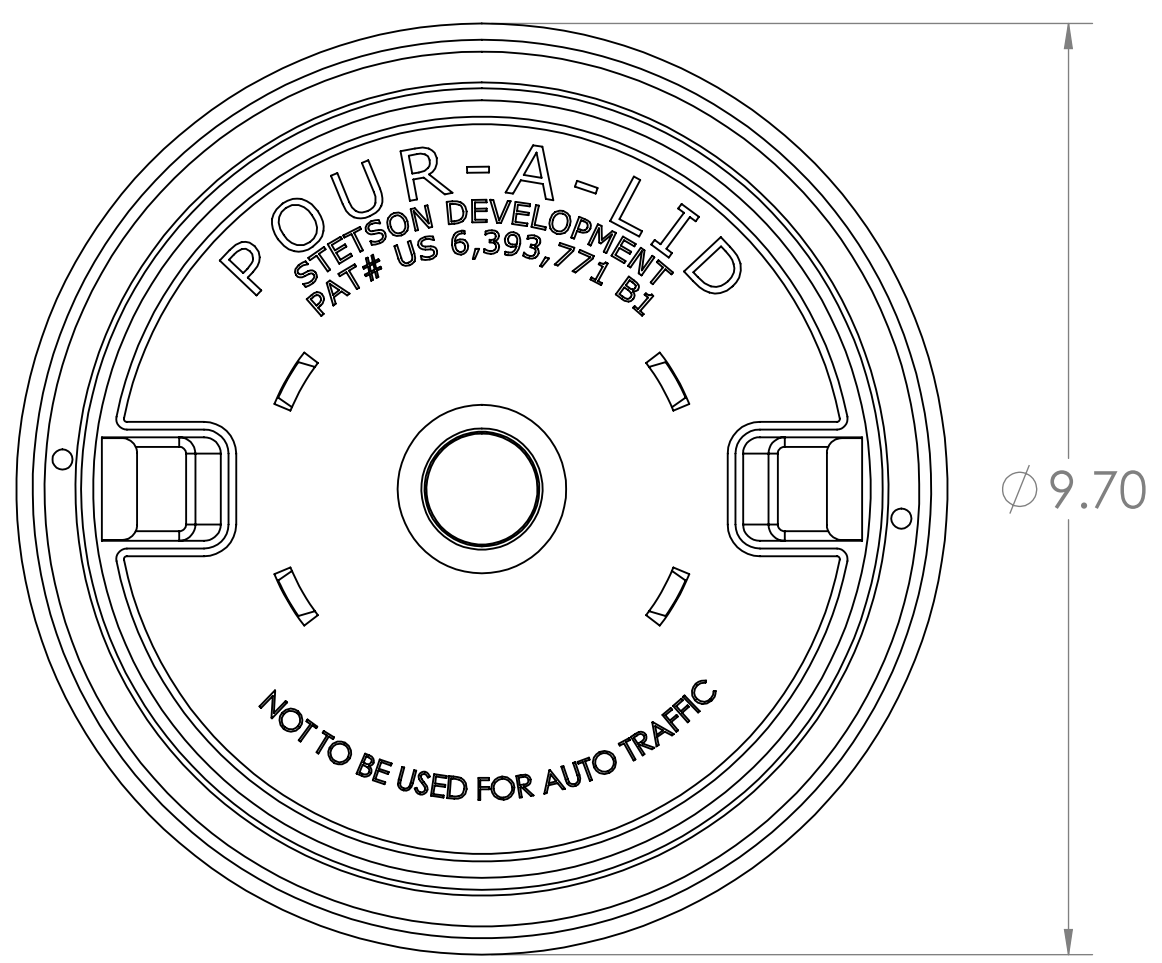
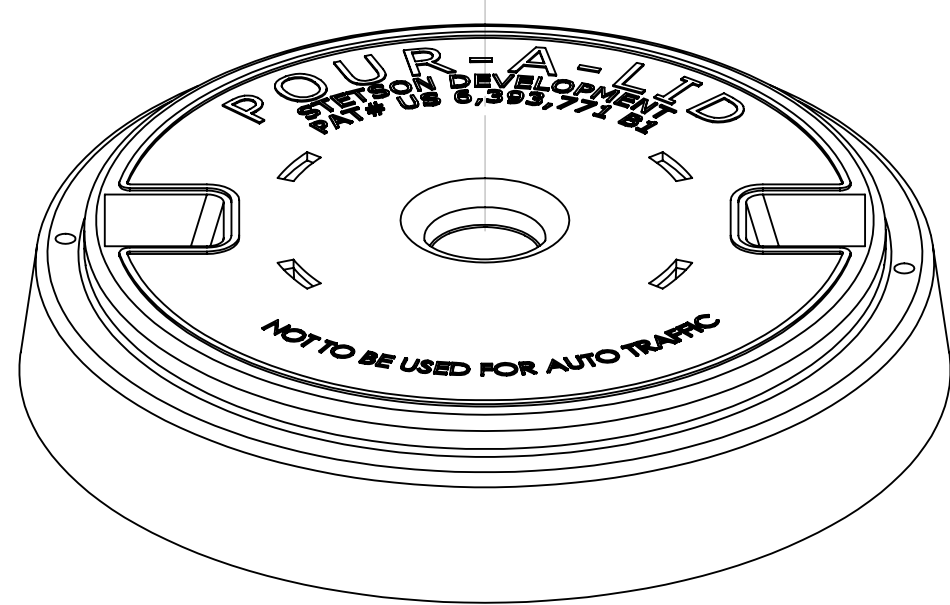
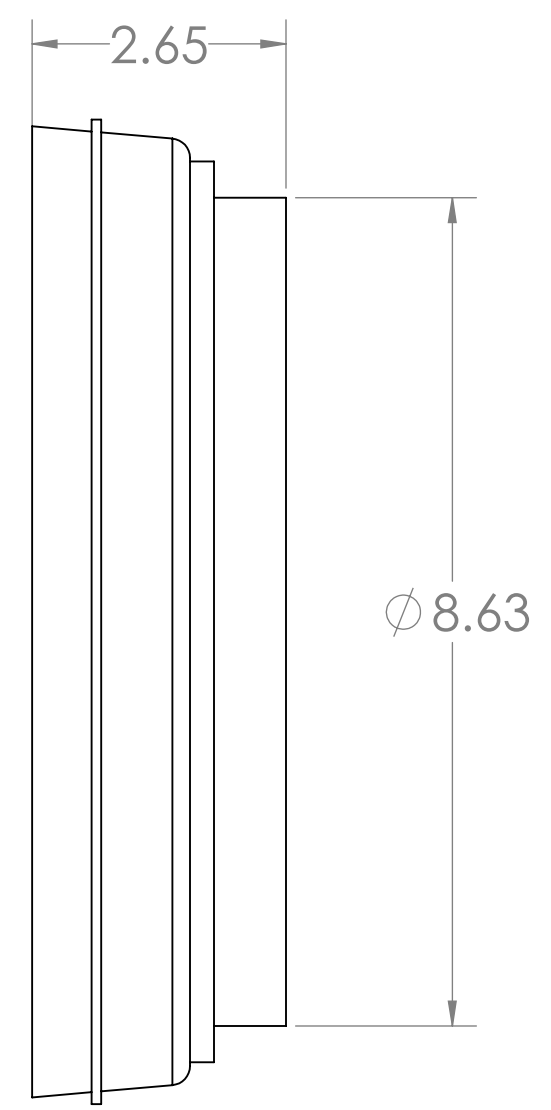
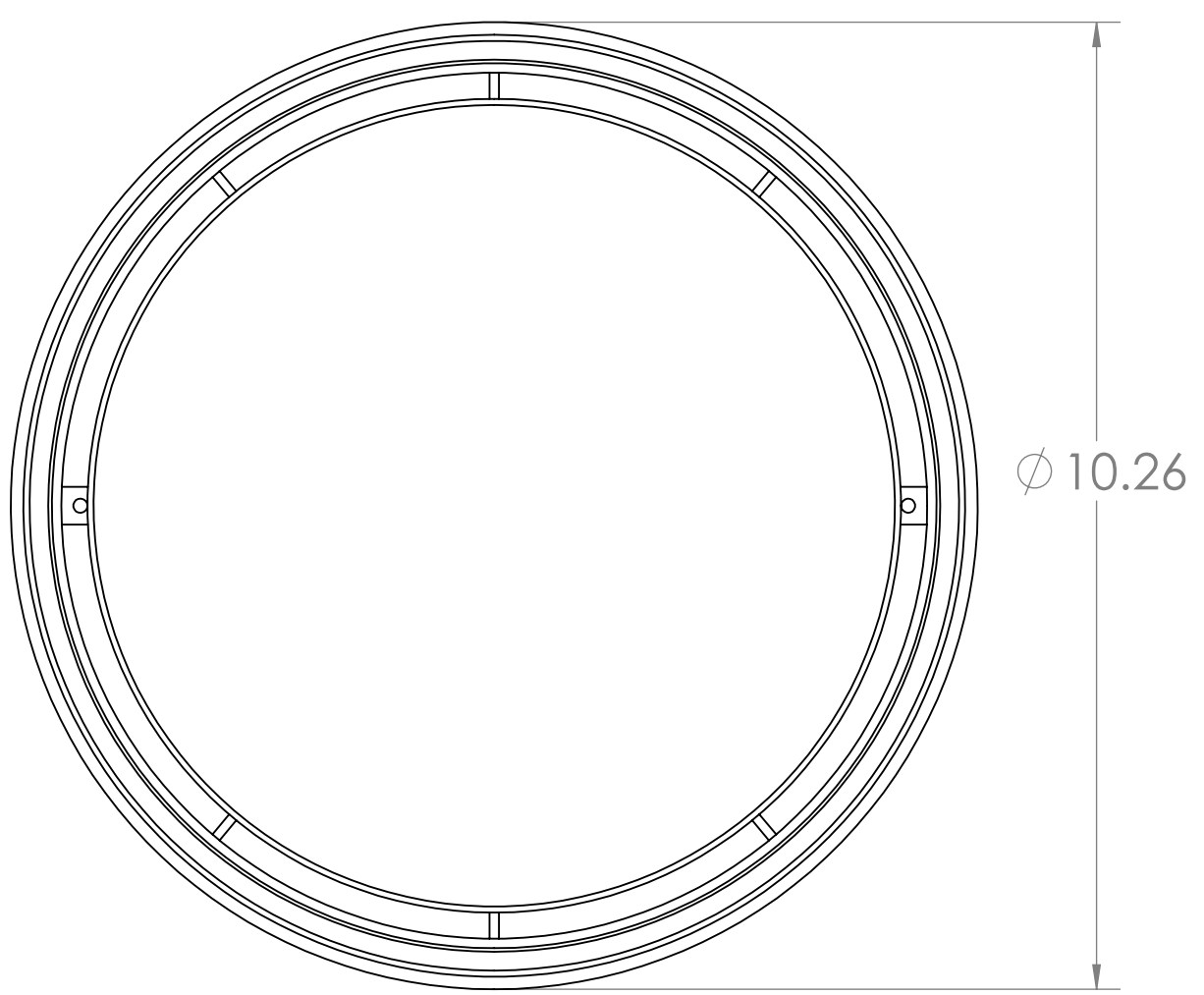
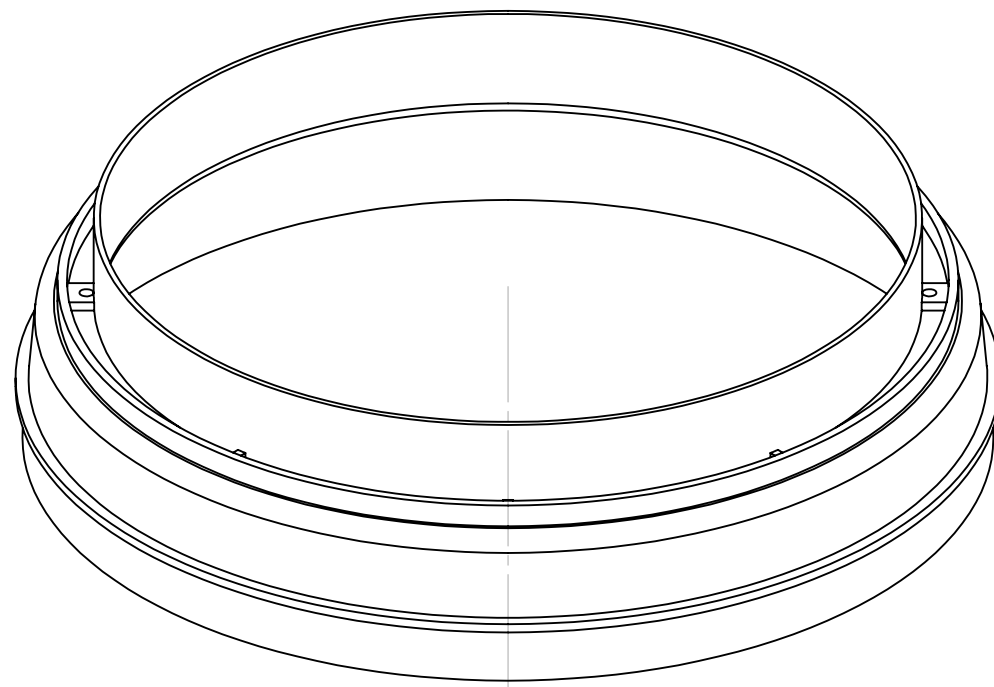


8 7 6 5 4 3 2 1

F
E
D
C
B
A

F
E
D
C
B
A



* ALL DIMENSION ARE REFERENCE UNLESS SPECIFIED

PROPRIETARY AND CONFIDENTIAL
THE INFORMATION CONTAINED IN THIS DRAWING IS THE SOLE PROPERTY OF EDGE PLASTICS. ANY REPRODUCTION IN PART OR AS A WHOLE WITHOUT THE WRITTEN PERMISSION OF EDGE PLASTICS IS PROHIBITED.

			Edge Plastics 1850-C Massachusetts Av Riverside, CA 92507 951 786 4750 X113		
DRAWN	NAME	DATE	TITLE:		
	AVENTURA	08/29/12	10' PAL RND COVER LID		
CHECKED			SIZE	DWG. NO.	REV
			C	201 RND COVER	A
MATERIAL			SCALE: 1:1		SHEET 1 OF 1
FINISH					

8 7 6 5 4 3 2 1