

F
E
D
C
B
A

8

7

6

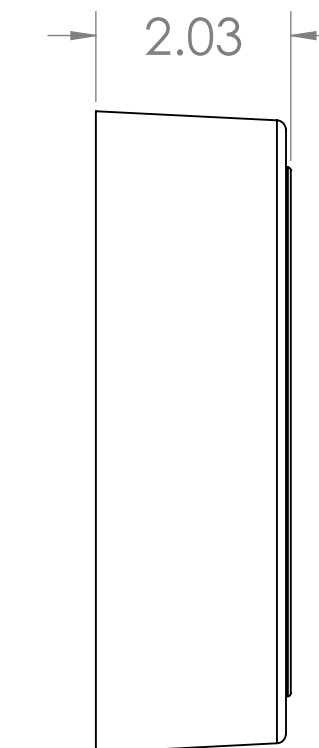
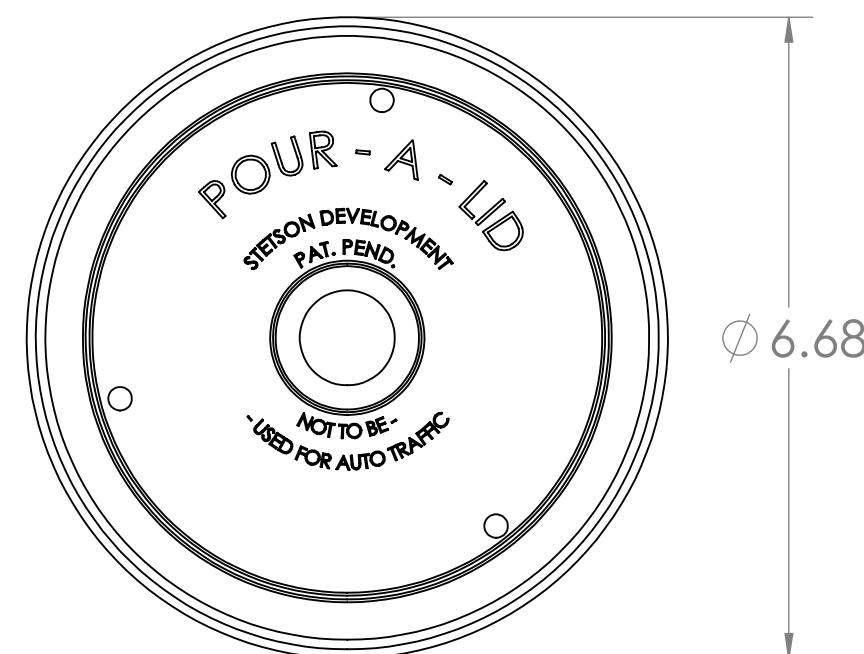
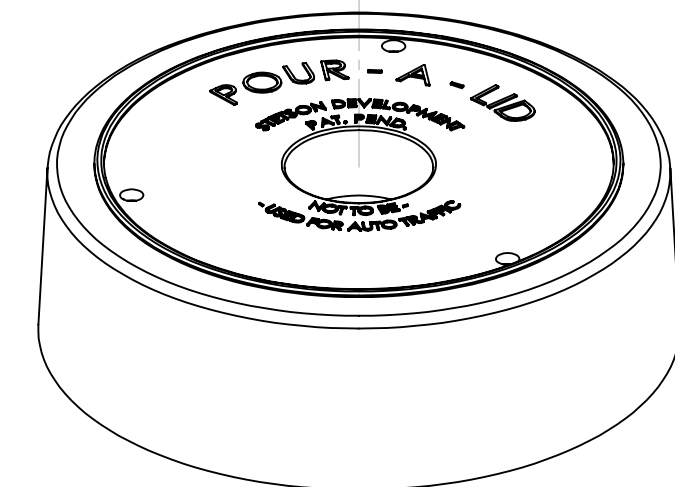
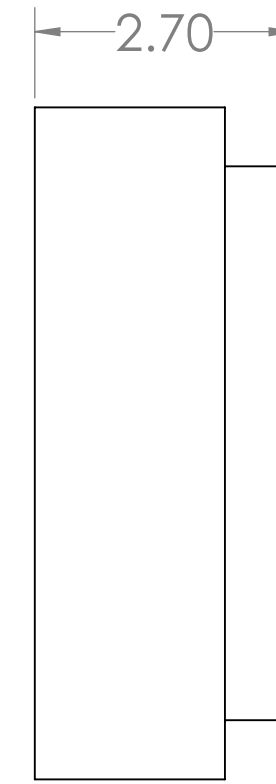
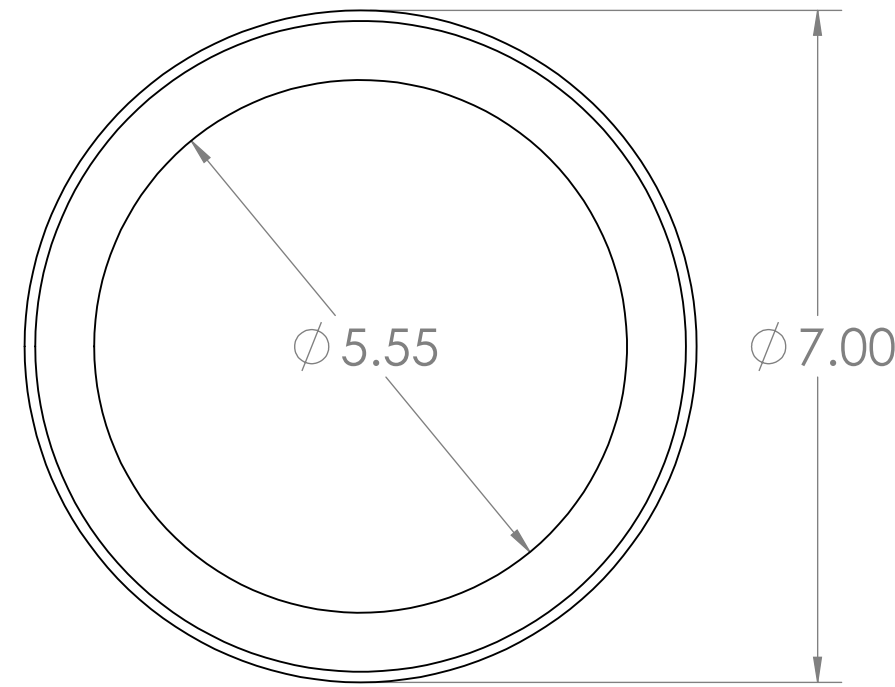
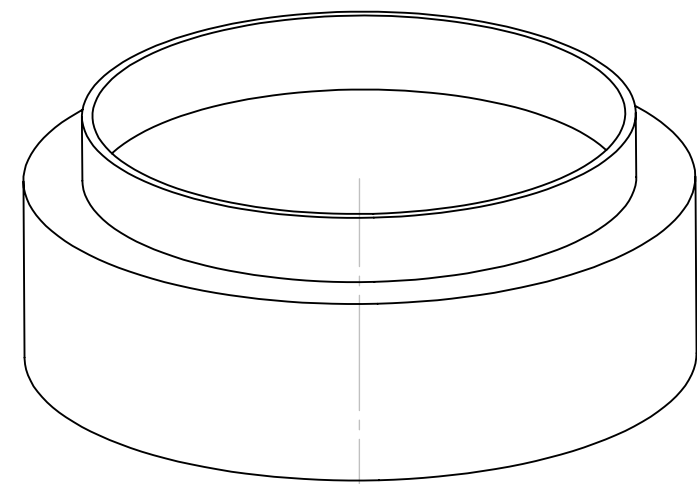
5

4

3

2

1



* ALL DIMENSION ARE REFERENCE UNLESS SPECIFIED

PROPRIETARY AND CONFIDENTIAL
THE INFORMATION CONTAINED IN THIS DRAWING IS THE SOLE PROPERTY OF EDGE PLASTICS. ANY REPRODUCTION IN PART OR AS A WHOLE WITHOUT THE WRITTEN PERMISSION OF EDGE PLASTICS IS PROHIBITED.

			Edge Plastics 1850-C Massachusetts Av Riverside, CA 92507 951 786 4750 X113		
			TITLE: 6" PAL COVER, LID		
DRAWN	NAME	DATE			
	AVENTURA	08/29/12			
CHECKED			SIZE	DWG. NO.	REV
			C	202 PAL COVER	A
MATERIAL			SCALE: 1:1		
FINISH			SHEET 1 OF 1		

8

7

6

5

4

3

2

1