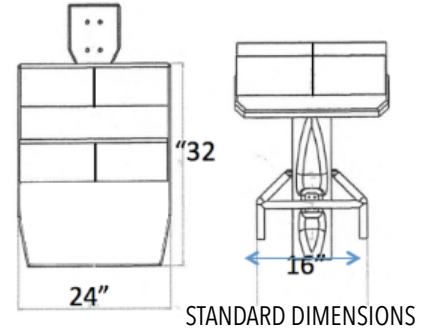


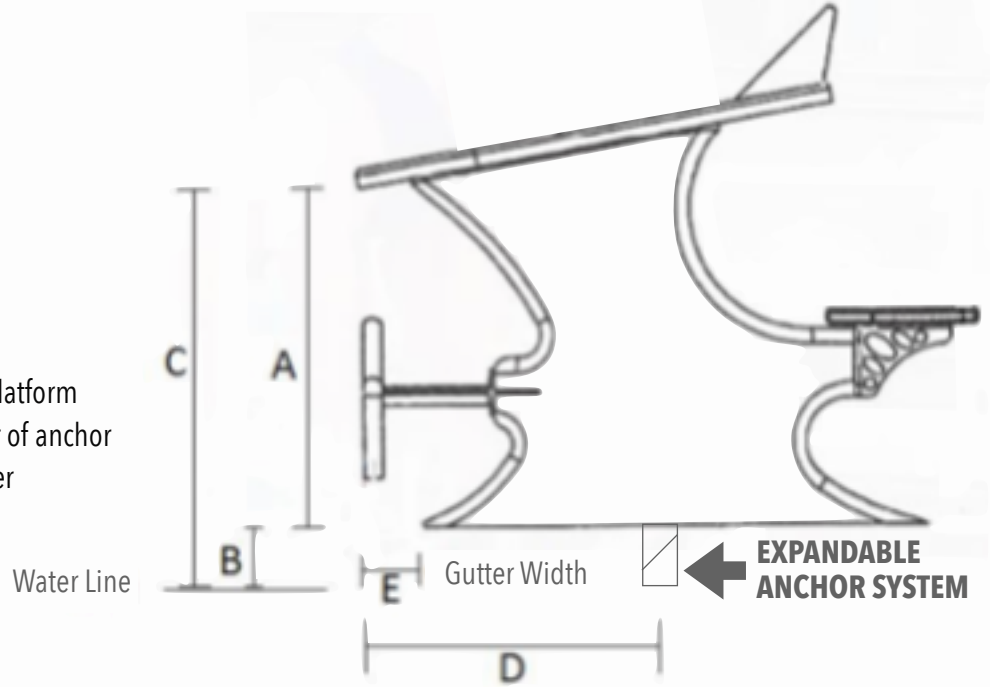
CONQUEST STARTING PLATFORM

**Integrated Patented Expandable Anchor System
Fits Every Existing Deck Anchor!**



KEY MEASUREMENTS

- "A" Dimension = ___ Deck to edge of platform
- "B" Dimension = ___ Deck to waterline
- "C" Dimension = ___ Waterline to front lip of platform
- "D" Dimension = ___ Front deck edge to center of anchor
- "E" Dimension = ___ Pool edge to back of gutter



ADDITIONAL OPTIONS

- Adjustable Rear Kickplate System
- Custom Team Graphics
- Side Handles
- Custom Team Gelcoat Colors
- Custom Powder-coated Backstroke Handle/Step Bracket
- SeaDek Non-Slip Team Color options!

FACILITY NAME _____

CONTACT NAME _____

PHONE/EMAIL _____

**RETURN VIA
FAX/EMAIL TO:**

WATERLINE TECHNOLOGIES, INC.

PH (714) 564-9100 Fax (714) 564-9300

sales@waterlinetech.com