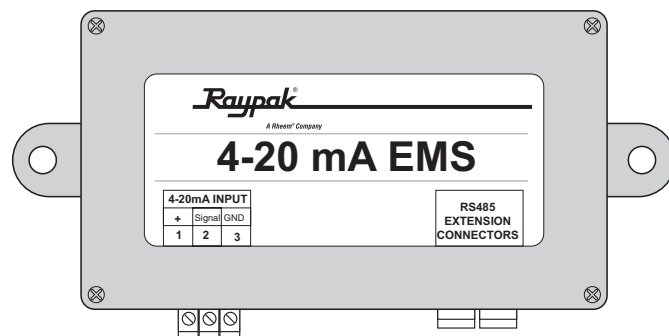


INSTALLATION & OPERATING INSTRUCTIONS

4-20mA EMS Interface



**Adds 4-20mA Setpoint capability to
TempTracker Mod+ Control System**

This manual should be maintained in legible condition and kept adjacent to the heater or in another safe place for future reference.

Raypak[®]
A Rheem[®] Company

INTRODUCTION

The 4-20mA EMS Interface provides the TempTracker Mod+ control with the capability of receiving an external Setpoint as a 4-20mA signal through Energy Management or Building Management Systems (EMS/BMS). The External Setpoint is a temperature input and can also function as a Shutdown signal.

WIRING

Wiring the EMS Signal

- The signal must be a two-wire 4-20mA.
- A system sensor must be installed to the TempTracker Mod+ control.
- The External Setpoint must be set up correctly (See TempTracker Mod+ documentation). These settings will allow the TempTracker Mod+ to read and monitor the system temperature and also monitor the 4-20mA input to remotely adjust the setpoint to the desired value.
- If the EMS/BMS or other equipment signal provides the DC current, attach the (+) side of the EMS/BMS signal to the 4-20mA EMS Interface terminal marked SIGNAL. Attach the (-) side of the EMS/BMS signal to the 4-20mA EMS Interface terminal marked GND as shown in Fig. 1.
- The 4-20mA EMS Interface can provide the DC current for the 4-20mA input signal. If using the 4-20mA EMS Interface to provide the power, attach the (+) side of the EMS/BMS signal to the 4-20mA EMS Interface terminal marked +. Attach the (-) side of the EMS/BMS signal to the 4-20mA EMS Interface terminal marked SIGNAL as shown in Fig. 2.

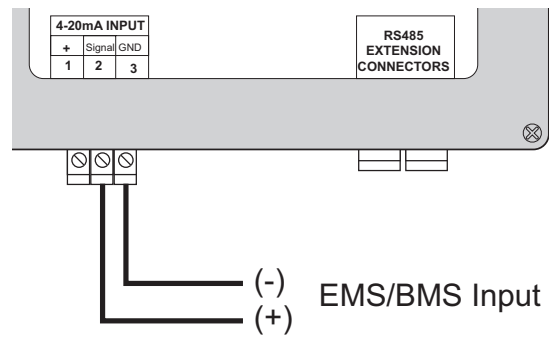


Fig. 1: External Device (e.g. BMS) Provides Current for 4-20 mA Signal

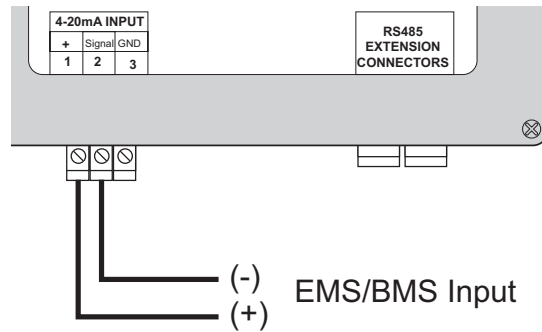
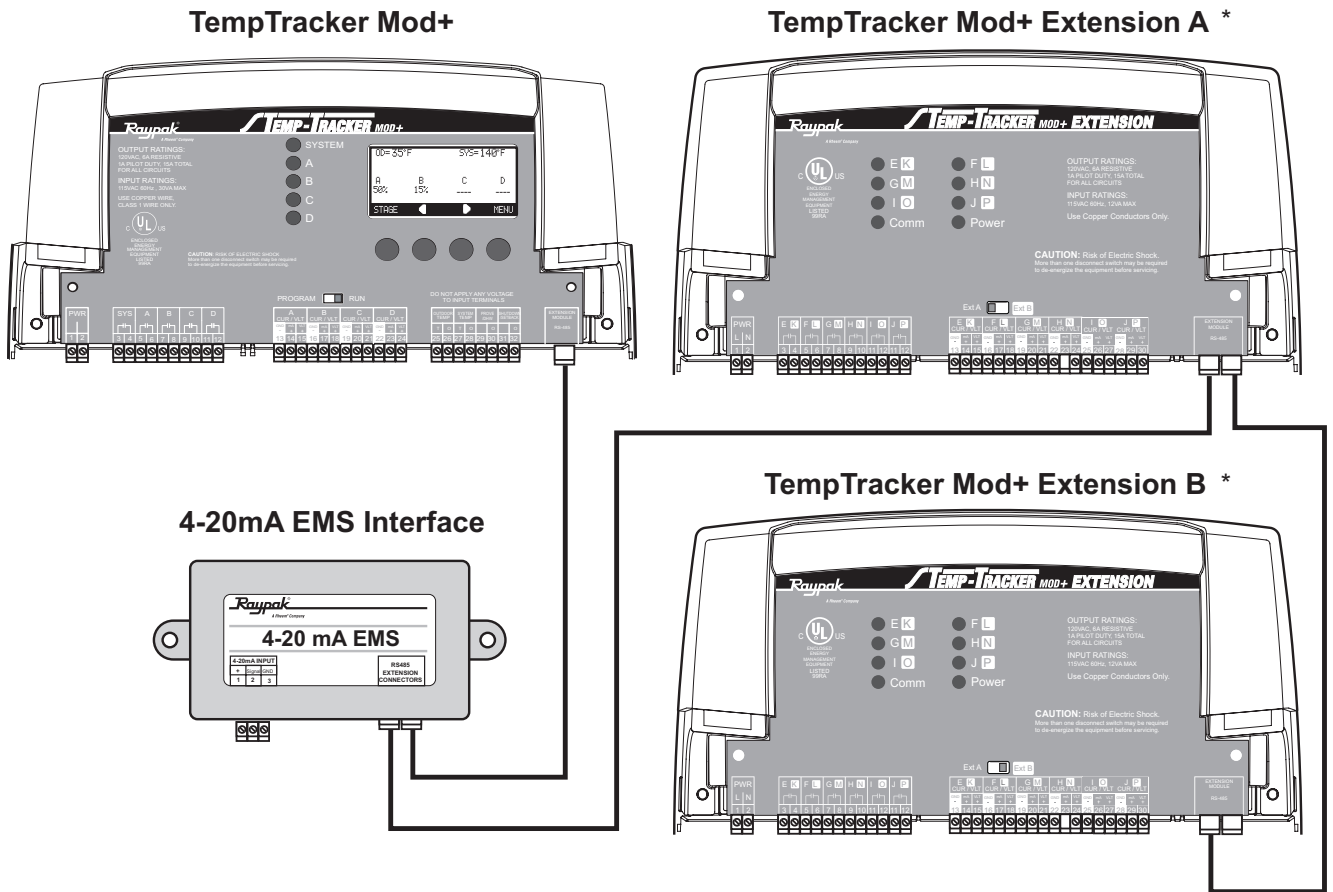


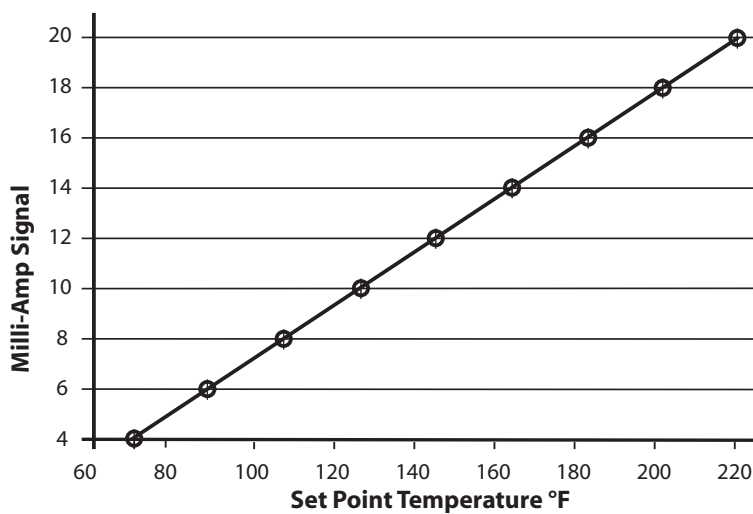
Fig. 2: TempTracker Provides Current for 4-20 mA Signal



*When Used

Fig. 3: Connecting 4-20mA EMS Interface to TempTracker Mod+ with Two Extension Panels using RS485

Connect the TempTracker Mod+, 4-20mA EMS interface and up to two Extension Panels in the order shown for proper operation using the 6-wire phone cables provided.



NOTE: Scale is user adjustable to match system design characteristics.

Fig. 4: Default EMS 4-20mA Input Scale (70°–220°F)



Registered Quality Management System

www.raypak.com

Raypak, Inc., 2151 Eastman Avenue, Oxnard, CA 93030 (805) 278-5300 Fax (805) 278-5468
Litho in U.S.A.