

Job: _____
 Engineer: _____
 Contractor: _____
 Prepared By: _____
 Model: _____ Date: _____

SureRack® Kit

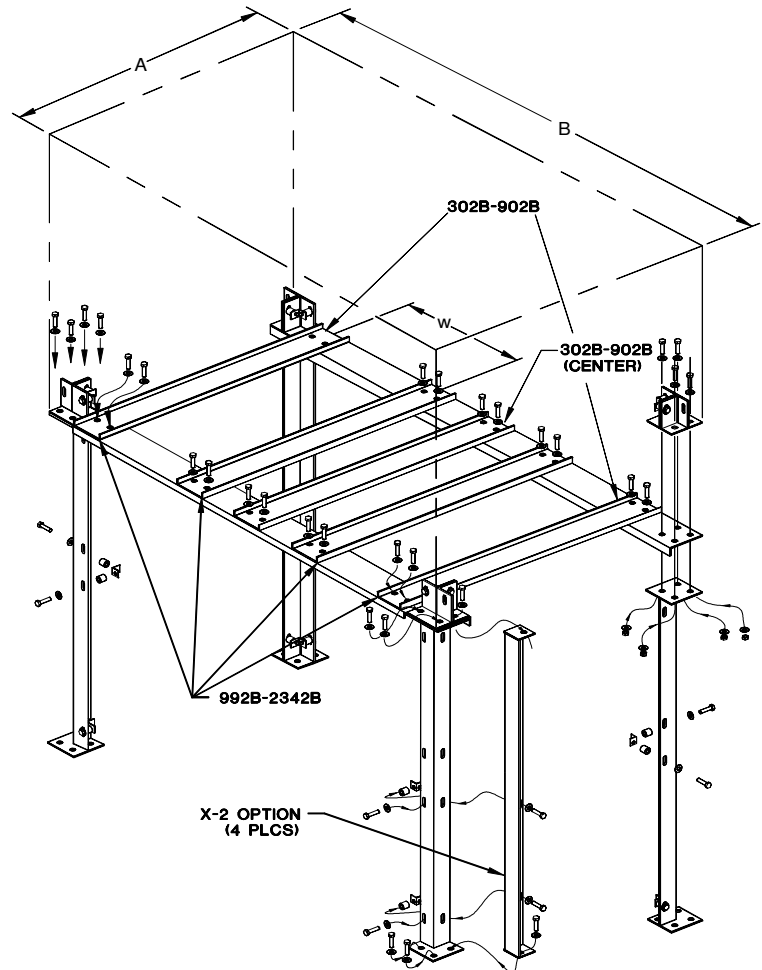
Stacking System for
 Hi Delta® Boilers

Models 302B-2342B

Features

- ▶ Two-boiler Vertical Stack
- ▶ No Vent Offset Required
- ▶ Small Footprint
- ▶ Low Ceiling Height
- ▶ Heavy Duty Construction

See installation manual 240792



Hi Delta Model	SureRack Kit (X-1)						Above-Grade Add-On (X-2)	Stacked Boiler Height (in.)
	Part No.	Weight (lbs.)	Dimensions (in.)			Cross Beams		
			A	B	W			
302B	006906	201	30	41-1/4	CTR.	3	P/N 007046	72-1/4
402B	006907	214		48-1/4				
502B	006908	228		55-1/4				
652B	006909	257		65-3/4				
752B	006910	265		72-3/4				
902B	006911	276	83-1/4					
992B	011563	340	37-1/2	64-1/8	16-13/16	4	P/N 007053	87-1/2
1262B	011564	361		75-1/2	20-9/16			
1532B	011565	371		87	26-3/8			
1802B	011566	408		98-1/8	30-1/8			
2002B	011567	430		109-1/2	33-15/16			
2072B	011567	430		109-1/2	33-15/16			
2342B	011568	458		121	37-11/16			

SureRack Kit

For Hi Delta 302B-2342B

Model _____

Anchoring Information

For reference only. Recommended to match drill on job site.

- Use a minimum of two bolts 1/2" x 5", A-307 Grade 5.2 or equivalent. Use Hilti® HY-150 adhesive to secure expansion anchor. For additional information see SureRack Kit installation instructions.
- Approved for all installations.

Hi Delta Model	Anchoring Dimensions (in.)		
	A	B	C
302B	34-1/4	24	2-1/4
402B	42-1/4		
502B	49-1/4		
652B	59-3/4		
752B	66-3/4		
902B	77-1/4		
992B	56-1/8	31-9/16	3-1/4
1262B	67-7/16		
1532B	78-3/4		
1802B	90-1/8		
2002B	101-1/2		
2072B			
2342B	112-13/16		

