

**POOL**  
**MODELS: SR-410 LOW NO<sub>x</sub>**

CATALOG NO. 9100.84  
Effective: 06-15-16  
Replaces: 09-01-15

## RAYPAK REPLACEMENT PARTS

**MODEL SIZE: SR-410 X94 PROFESSIONAL**

**MODEL TYPE:**

DATE OF MANUFACTURE: 02-01-15 THRU CURRENT

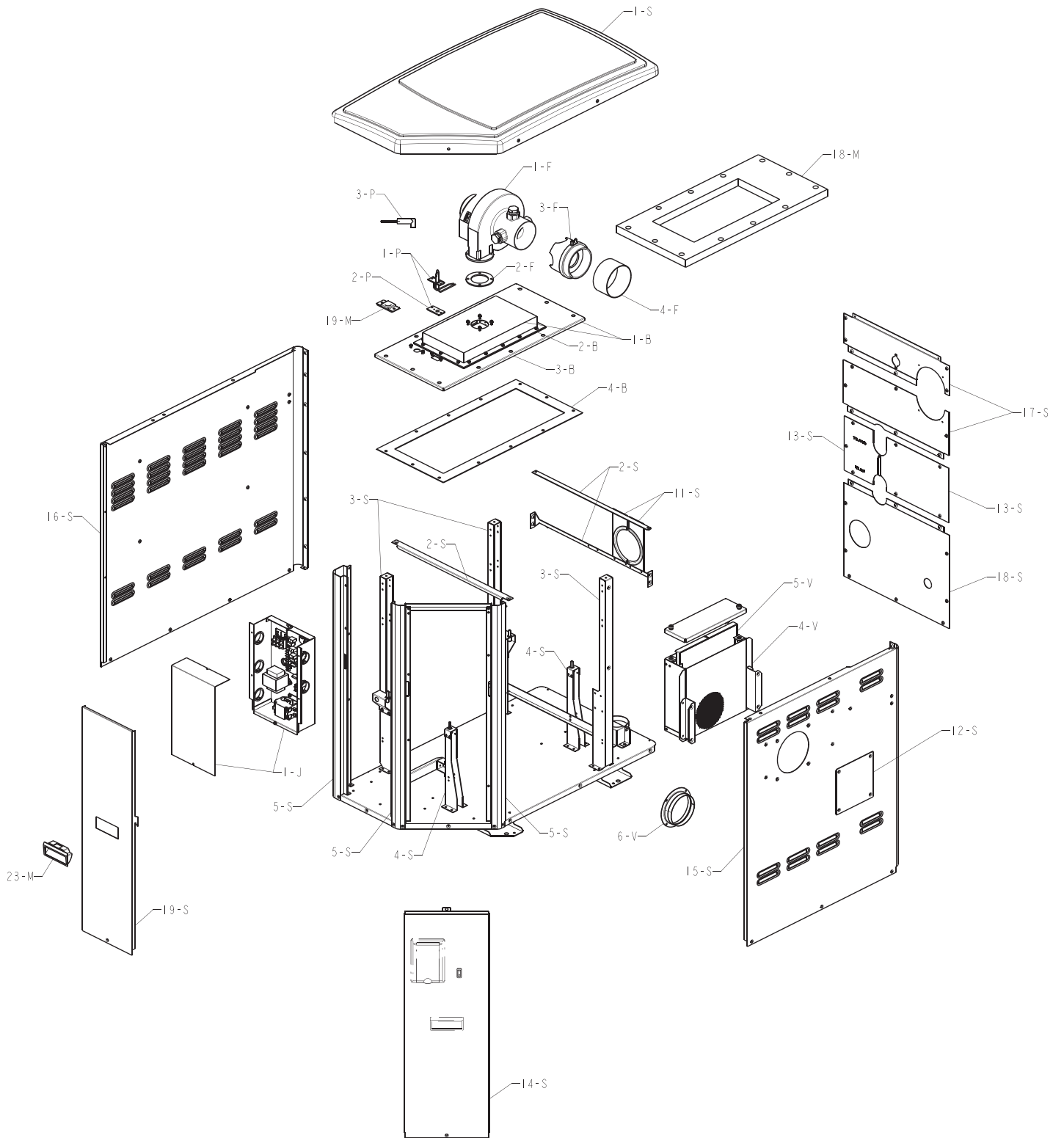
THE PARTS LISTED ARE FOR STANDARD EQUIPMENT FOR THIS MODEL TYPE. RAYPAK RESERVES THE RIGHT TO SUBSTITUTE, DELETE OR CHANGE ANY PART WITHOUT NOTIFICATION. THE ADDITION OF OPTIONS MAY ALSO CHANGE SOME OF THE PARTS. ORDER REPLACEMENT PARTS FROM ACTUAL HEATER COMPONENTS.

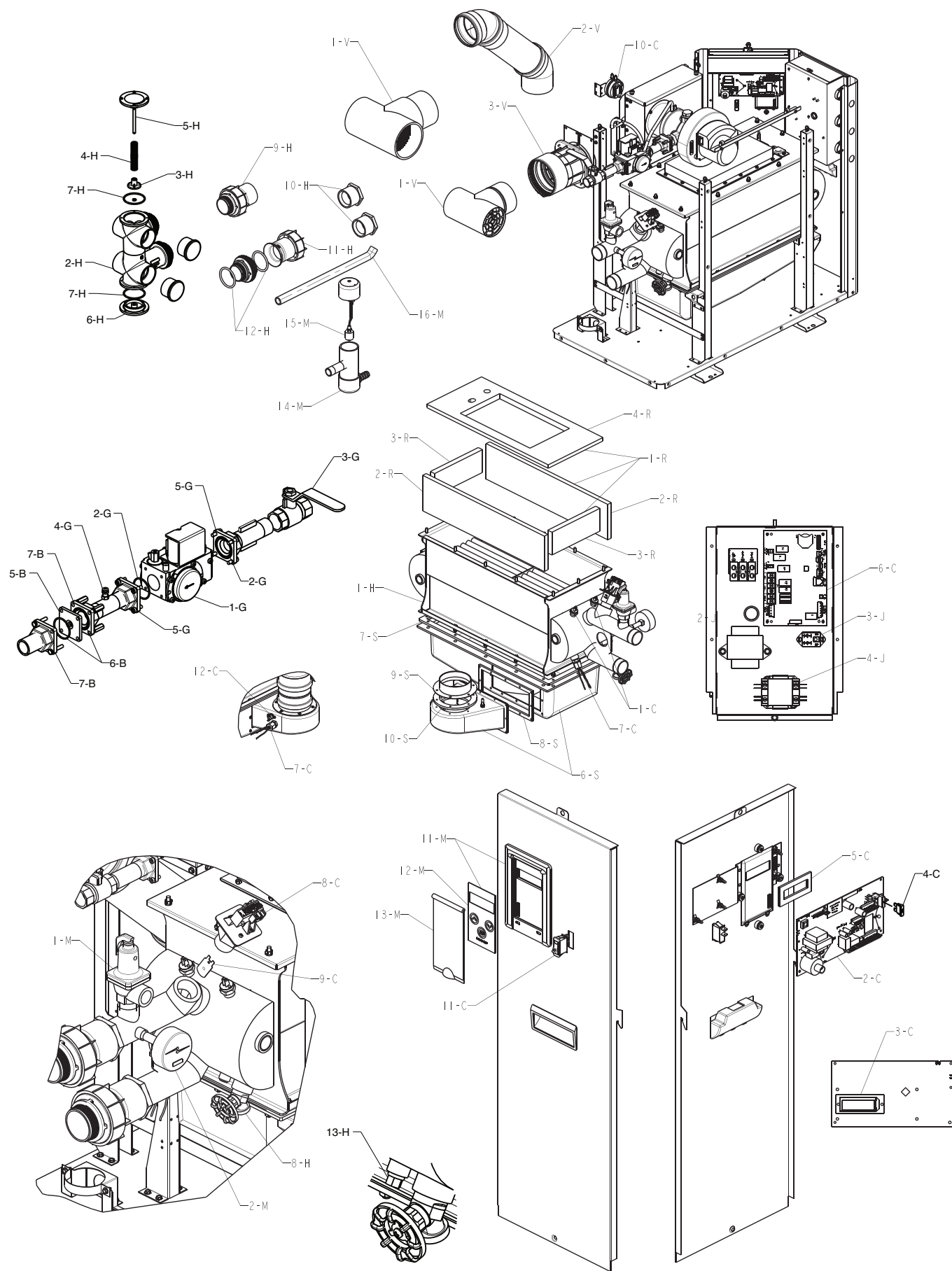


FOR DETAILED INSTRUCTIONS, SEE "HOW TO USE YOUR RAYPAK ILLUSTRATED PARTS LIST",  
CATALOG NO. 9001.10



Raypak, Inc., 2151 Eastman Avenue, Oxnard, CA 93030  
(805) 278-5300 Fax (800) 872-9725  
Litho In U.S.A.





CALL OUT	DESCRIPTION	410
<b>B</b>	<b>BURNER</b>	
1-B	Burner	015449F
2-B	Gasket seal	N/A
3-B	Burner Mounting Plate	N/A
4-B	Burner Plenum Gasket	015450F
5-B	Gas Orifice Natural (0-4,500 Ft)*	015452F
	Gas Orifice Propane (0-4,500 Ft)*	015453F
7-B	Gas Orifice Flange	015961F
6-B	Flange O Ring	014089F
<b>C</b>	<b>CONTROLS</b>	
1-C	Thermostat Auto Reset 135 Deg	600892B
2-C	P. C. Board/Ignition	014090F
3-C	LCD Display	013640F
4-C	Fuse 5 AMP	013733F
5-C	Seal Gasket	014866F
6-C	P. C. Board Digital Control	015454F
7-C	Temperature Sensor Water/Flue	009577F
8-C	Water Flow Switch	015115F
9-C	Flow Switch Paddle	010026F
10-C	Switch Air Pressure (Vent/Field)	010354F
11-C	Rocker Switch	009493F
12-C	Vent Temp Limit Switch	013428F
<b>F</b>	<b>FAN</b>	
1-F	Blower	015455F
2-F	Blower Gasket	015456F
3-F	Combustion Air Venturi Adapter	015457F
4-F	Hose Duct 4" (Plastic)	015519F
<b>G</b>	<b>GAS VALVE</b>	
1-G	Combination Valve - Nat.	013942F
	Combination Valve - Pro.	013942F
5-G	Inlet/Outlet Flange	015960F
2-G	Gas Valve Flange O Ring Seal	014089F
3-G	Manual "A" On/Off Valve	013208F
4-G	Bleedle Valve 1/8 NPT	007423F
<b>H</b>	<b>HEAT EXCHANGER</b>	
1-H	Heat Transfer	015458F
13-H	Pipe Plug Brass 1/4" NPT	015726F
2-H	Bypass Manifold	015459F
3-H	Bypass Valve	006716F
4-H	Bypass Spring	015460F
5-H	Bypass Shaft	015461F
6-H	Bypass Cap	015462F
7-H	O Ring Bypass Cap	015463F
8-H	Drain Valve	013475F
9-H	CPVC Swivel Union & Nut (2)	015464F
10-H	CPVC Adapter	015465F
11-H	CPVC Nut	N/A
12-H	O Ring Adapter	015466F
<b>J</b>	<b>CONTROL BOX</b>	
1-J	Control Box	N/A
2-J	Transformer 120/240/24V	014404F
3-J	Blower Relay DPDT 24V	011720F
4-J	Pump Contactor	009860F

\*FOR INSTALLATIONS OVER 4,500 FEET ABOVE SEA LEVEL, DERATE 4% PER 1,000 FEET ABOVE SEA LEVEL. CONSULT FACTORY.

CALL OUT	DESCRIPTION	410
<b>M</b>	<b>MISCELLANEOUS COMPONENTS</b>	
1-M	PRV 75 PSI	007223F
2-M	T & P Gauge	014647F
3-M	Wire Harnesses (All Unit Harnesses)	015467F
4-M	Cabinet Harness	015468F
5-M	Blower Harness 120V	015469F
6-M	Gas Valve Harness	015470F
7-M	High Limit / Flow Switch Harness	015471F
8-M	Condensate Float Switch Harness	015472F
9-M	Pump Contactor Harness	015555F
10-M	Blower/Relay Harness	015554F
11-M	Control Bezel (Includes Switch Decal)	014886F
12-M	Switch/Decal-Membrane	014887F
13-M	Control Bezel Cover	014888F
14-M	Condensate Trap	015473F
15-M	Condensate Float Switch NC	013947F
16-M	Condensate Hose	013948F
17-M	Condensate Neutralizer (Not Shown)	015199
18-M	Insulation Blanket	015474F
19-M	Window Combustion Chamber	006947F
20-M	Touch-up Paint Cool Dark Gray (Not Shown)	750256
21-M	RTV Sealant 2.8 oz. (Not Shown)	008924F
22-M	Clear Silicone Sealant 10 oz	015421F
23-M	Plastic Handle	012681F
<b>P</b>	<b>PILOT</b>	
1-P	Ignitor Direct Spark	015475F
2-P	Ignitor Gasket	015476F
3-P	Hi Tension Wire	014126F
<b>R</b>	<b>REFRACTORY</b>	
1-R	Refractory (All Panels)	015477F
2-R	Refractory Left & Right	015478F
3-R	Refractory Front & Rear	015479F
4-R	Refractory Top	015480F
<b>S</b>	<b>SHEET METAL / CABINET</b>	
1-S	Jacket Top	015481F
2-S	Upper Cabinet Supports	015482F
3-S	Vertical Supports	015483F
4-S	Heat Transfer Vertical Supports	015484F
5-S	Vertical Cabinet Supports	015485F
6-S	Flue Collector	015486F
7-S	Flue Collector Seal Gasket	015487F
8-S	Flue Collector Outlet Gasket	015488F
9-S	Flue Exhaust Inlet Collar	015489F
10-S	Flue Exhaust Inlet Gasket	015490F
11-S	Flue Exhaust Outlet Support Bracket	015491F
12-S	Access Panel Intake Air	015521F
13-S	Access Panels Inlet/Outlet	015492F
14-S	Jacket Control Mounting Panel	015493F
15-S	Jacket Front Panel	015494F
16-S	Jacket Rear Panel	015495F
17-S	Jacket Side Panel Upper Right	015496F
18-S	Jacket Side Panel Lower Right	015497F
19-S	Jacket Side Panel Left	015498F
<b>V</b>	<b>VENTING/INTAKE AIR</b>	
1-V	Outdoor Vent Termination Tee	
	PVC Venting	015451
	Polypropylene Venting	N/A
	Stainless Steel Venting	015361
2-V	Flue Exhaust Polypropylene Pipe Assy	015507F
3-V	Flue Exhaust Adapter 4" (PVC, Polypropylene, or Stainless Steel)	015508F
4-V	Intake Air Filter Box	015520F
5-V	Air Filter Media	013290F
6-V	Intake Air Connection Flange (if required)	015527F

**CONVERSION KITS\***

Nat. to Pro.	015502F
Pro. to Nat.	015503F

\* Gas conversions are to be done only by a qualified agency.







Registered Quality Management System

[www.raypak.com](http://www.raypak.com)