

# Supreme (656/658) Stand



The Supreme stand is a high-end stand that offers users extreme diving fun!

- Made of durable, scratch resistant acrylic reinforced with fiberglass
- 6' or 8' lengths
- Available in a variety of colors – match your pool slide and backyard décor
- Stainless steel hardware for added corrosion resistance
- Board has a matching, non-slip sanded tread

## Supreme Jump Stand with Frontier III Board

| Model No.    | Size | Color         | Shipping (3 boxes) |              |             |             |
|--------------|------|---------------|--------------------|--------------|-------------|-------------|
|              |      |               | Weight             | Length       | Width       | Height      |
| 68-209-6162  | 6'   | Radiant White | 52 lbs<br>24kg     | 74"<br>188cm | 20"<br>51cm | 3"<br>8cm   |
| 68-209-61623 | 6'   | Pebble*       | 22 lbs<br>10kg     | 18"<br>46cm  | 18"<br>46cm | 10"<br>25cm |
| 68-209-61624 | 6'   | Gray Granite* | 20 lbs<br>10kg     | 33"<br>84cm  | 18"<br>46cm | 4"<br>10cm  |
| 68-209-6182  | 8'   | Radiant White | 70 lbs<br>32kg     | 98"<br>249cm | 20"<br>51cm | 3"<br>8cm   |
| 68-209-61823 | 8'   | Pebble*       | 22 lbs<br>10kg     | 18"<br>46cm  | 18"<br>46cm | 10"<br>25cm |
| 68-209-61824 | 8'   | Gray Granite* | 33 lbs<br>15kg     | 41"<br>104cm | 18"<br>46cm | 4"<br>10cm  |

Note:

\* Pebble kits come with Taupe springs. Gray Granite kits come with Rock Gray springs

## Board + Stand Colors



RADIANT WHITE

PEBBLE

GRAY GRANITE\*

Due to printing technology actual color may differ.

Due to differences in material and textures, Gray Granite Diving Boards and Stands are not an exact color match to Gray Granite Slides. Please consult your S.R.Smith sales representative for more details.

All installations must comply with all applicable local and national codes and installation must be completed in accordance with S.R.Smith installation instructions.

## Compatible with:



Frontier III Board



Glas-Hide Board



FreeStyle Board



HipHop Board

## Supreme Jump Stand with Glas-Hide Board\*

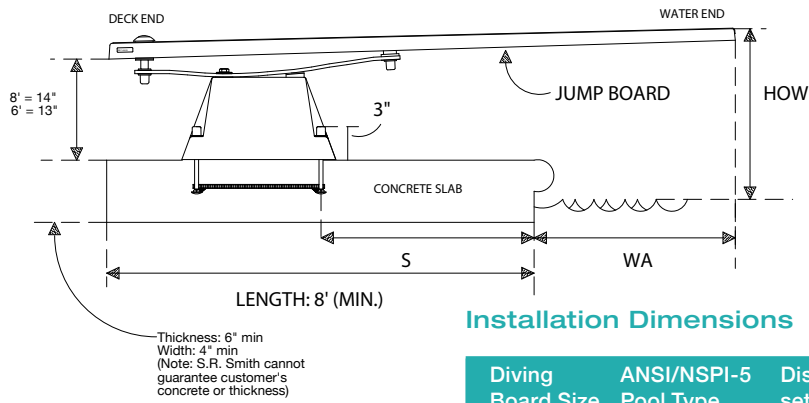
| Model No.   | Size | Color         | Shipping (3 boxes) |              |             |             |
|-------------|------|---------------|--------------------|--------------|-------------|-------------|
|             |      |               | Weight             | Length       | Width       | Height      |
| 68-209-2362 | 6'   | Radiant White | 57 lbs<br>26kg     | 74"<br>188cm | 20"<br>51cm | 3"<br>8cm   |
|             |      |               | 22 lbs<br>10kg     | 18"<br>46cm  | 18"<br>46cm | 10"<br>25cm |
|             |      |               | 20 lbs<br>10kg     | 33"<br>84cm  | 18"<br>46cm | 4"<br>10cm  |
| 68-209-2382 | 8'   | Radiant White | 70 lbs<br>32kg     | 98"<br>249cm | 20"<br>51cm | 3"<br>8cm   |
|             |      |               | 22 lbs<br>10kg     | 18"<br>46cm  | 18"<br>46cm | 10"<br>25cm |
|             |      |               | 33 lbs<br>15kg     | 41"<br>104cm | 18"<br>46cm | 4"<br>10cm  |

Note:

\*Not recommended for salt pools

## Parts & Hardware:

- 75-209-5885-SS Epoxy Kit with 4 bolts



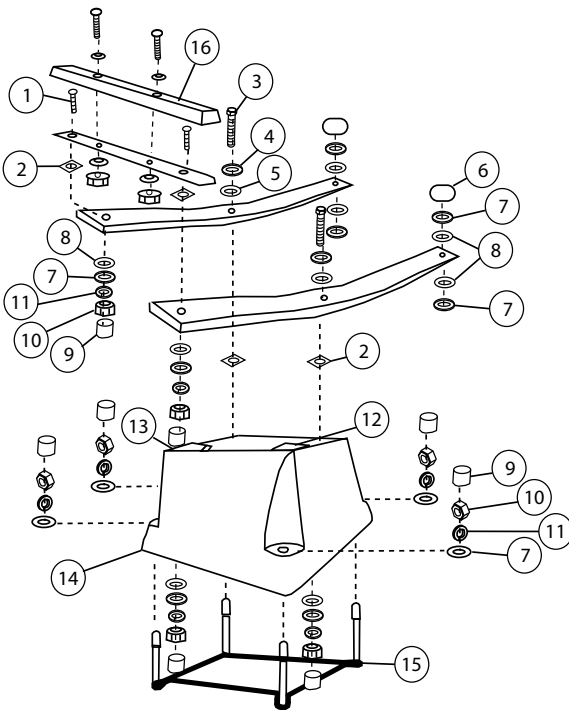
### Installation Dimensions

| Diving Board Size | ANSI/NSPI-5 Pool Type | Distance for setting front bolt of jig from water's edge (S)** | Minimum overhang (WA)* | Maximum height of board above water (HOW) |
|-------------------|-----------------------|--|------------------------|---|
| 6'                | I                     | 28-3/4"  | 18"                    | 20"                                       |
|                   | II                    | 28-3/4"  | 18"                    | 20"                                       |
|                   | III                   | 22-3/4"  | 24"                    | 26"                                       |
|                   | IV                    | 16-3/4"  | 30"                    | 30"                                       |
|                   | V                     | 10-3/4"  | 36"                    | 40"                                       |
| 8'                | III                   | 42-1/2"  | 24"                    | 26"                                       |
|                   | IV                    | 36-1/2"  | 30"                    | 30"                                       |
|                   | V                     | 30-1/2"  | 36"                    | 40"                                       |

**Notes:**

\*S and WA dimensions are valid only in conjunction with minimum depth at point A

\*\*When coping is used do not set front bolts of jig closer than 3" from the back edge of the coping



| Key | Part No.   | Description  | Kit A | Kit B | Kit C |
|-----|--|--|-------|-------|-------|
| A   | 69-209-017-SS  | Supreme Stand Bolt Kit   |       |       |       |
| B   | 69-209-020-SS  | Fulcrum Bolt Kit   |       |       |       |
| C   | 69-209-019-SS  | 606/608 Spring Bolt Kit  |       |       |       |
| 1   | 05-31-170  | 1/2" x 1 1/2" Carriage Bolt  |       | •     |       |
| 2   | 05-630   | 5/8" x 2" Square Nylon Washer  | •     | •     |       |
| 3   | 05-31-155  | 5/8" x 3" Hex Head Bolt  | •     |       |       |
| 4   | 05-32-118  | 5/8" x 1 3/4" Flat Washer  |       | •     |       |
| 5   | 05-631   | 5/8" x 1 3/4" Nylon Washer   | •     |       |       |
| 6   | 04-608   | 1" Spacer, Schedule 40 Pipe  |       | •     |       |
| 7   | 05-14-132  | 1/2" x 1 3/8" Flat Washer  | •     | •     | •     |
| 8   | 05-616   | 1/2" x 1 1/2" Round Nylon Washer   |       | •     | •     |
| 9   | 05-618   | 1/2" Plastic Nut Cap   | •     | •     | •     |
| 10  | 05-14-116  | 1/2" Hex Nut   | •     | •     | •     |
| 11  | 05-14-115  | 1/2" Lock Washer   | •     | •     | •     |
| 12  | 05-620L  | Plastic Tab (Left)   |       | •     |       |
| 13  | 05-620R  | Plastic Tab (Right)  |       | •     |       |
| 14  | 69-209-008<br>69-209-008-SNST<br>69-209-008-GG       | Supreme Stand, White (jig included)<br>Supreme Stand, Sandstone<br>Supreme Stand, Gray Granite |       |       |       |
| 15  | 69-209-007-SS<br>69-209-007-SS-9<br>69-209-007-SS-10 | Jig with 7" bolts<br>Jig with 9" bolts<br>Jig with 10" bolts                                   |       |       |       |
| 16  | 04-605-SS  | Fulcrum Assembly   |       |       |       |
|     | 69-209-026   | 606 Spring and Fulcrum   |       |       |       |
|     | 69-209-028   | 608 Spring and Fulcrum   |       |       |       |