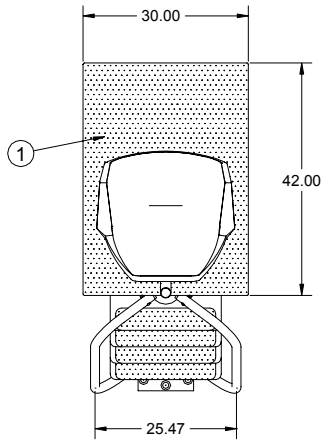
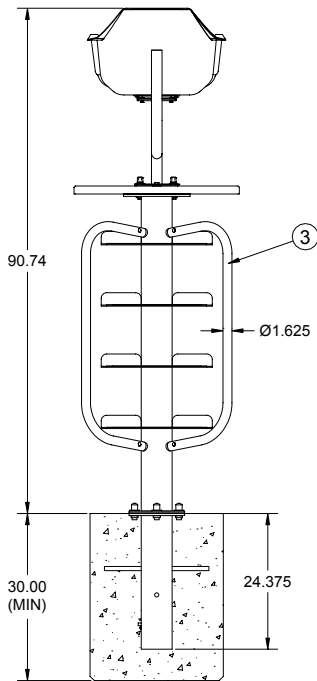


Cantilever Lifeguard Stand

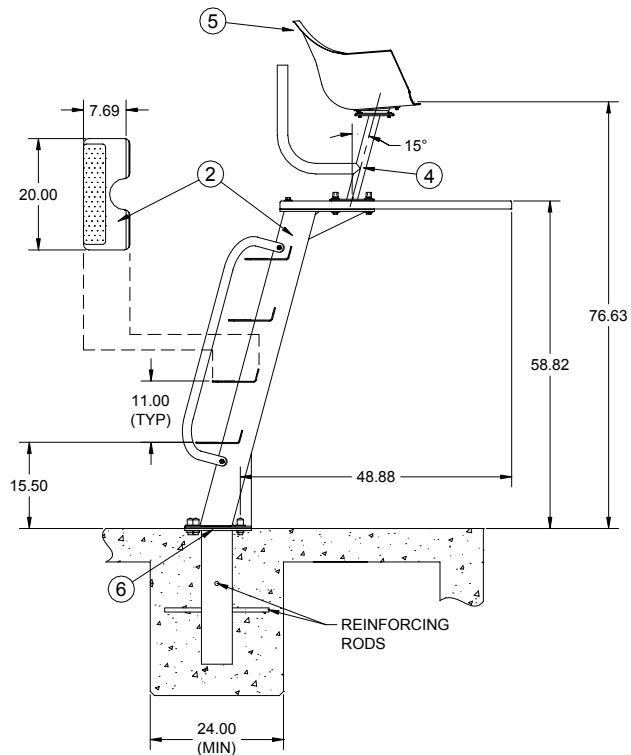


TOP VIEW

NOTE: SETBACK DISTANCE FROM POOL EDGE TO BE DETERMINED BY LOCAL GOVERNMENT REGULATIONS. S.R. SMITH CANNOT GUARANTEE CUSTOMER'S CONCRETE OR THICKNESS.



BACK VIEW



SIDE VIEW

Specification Number:	SRS-105	
Product Description:	Cantilever Lifeguard Stand	
S.R. Smith Part Number:	CAT-LG-101	Scale: NTS
Revision:	A	Date: 05/09/03
Written By:	T. Weil	Date: 05/09/03
Approved By:	B. Bisceglia	Date: 05/12/03
Page 1 of 2	Proprietary and confidential: The information contained in this specification is the sole property of S.R. Smith LLC. Any reproduction in part or whole without the written consent of S.R. Smith LLC is prohibited.	

S.R. Smith, LLC
P.O. Box 400, 1017 SW Berg Parkway
Canby, Oregon 97013
Tel: (888) 677-7776 (503) 266-2231
Fax: (503) 266-4334
www.srsmith.com

Product Name: Cantilever Lifeguard Stand

Part Number: CAT-LG-101

General Notes:

The **Cantilever Lifeguard Stand** has an extended observation platform (footboard) and umbrella support intended for permanent installation on an embedded support column at facilities not requiring removal or movement of lifeguard chairs. The stand is supported by a column slanted 15° toward the pool. The footboard and chair are bolted to the support column. All bolted connections have rubber gaskets between mating surfaces. All steel parts are sand blasted before receiving one coat of primer.

Application:

Depending upon installation design and local codes, this model is suitable for use on commercial pools. If project design and local codes permit and frequent removal of the chairs is not a requirement, it may be suitable for use on some competition pools. Depending upon installation and design, these stands may also be ideal for use as judging and observation stands on tennis courts and other sporting sites.

Specifications:

- 1 **Footboard:** The observation platform (footboard) of the Cantilever Lifeguard Stand measures 1-3/4" x 30 x 42 (44.5mm x 762 x 1067) and is a solid laminated fir core covered with fiberglass-reinforced acrylic. The top surface is a non-skid sanded tread.
- 2 **Support Column and Steps:** The support column is made from 5" (127mm) dia. schedule 40 carbon steel pipe with 3/8" (9.5mm) thick carbon steel top and bottom plates. Flanges are gusseted to the support pipe with 1/4" (6.4mm) carbon steel plates. Four (4) steps are mounted to the frame. The steps are welded to the support column and are covered with self-adhesive non-slip pads. The assembly is primed and ready for topcoat.
- 3 **Handrails:** Two (2) handrails extend the length of support column and bolt to pipe adapters welded to the column. The handrails are made of 1-5/8" O.D. x .049 (41.3mm x 1.25) wall, type 304 polished stainless steel.
- 4 **Swivel Stand w/ Umbrella Holder:** The base column of the swivel stand assembly is constructed of 1.90" O.D. x .065" wall (48.25mm x 1.65) type 304 stainless steel. At the lower end of the column is affixed a .25" (6.4mm) stainless steel plate which serves as a mounting flange. This flange is attached in tandem with the observation platform (footboard) to the platform supports. A 1.90" O.D. x .065 wall (48.25mm x 1.65) type 304 stainless steel tube is bent and affixed to the rear of the seat base column and serves as an umbrella holder.
- 5 **Seat w/ Swivel:** A special swivel mechanism is attached to the upper end of the swivel stand base column to allow for a 360° rotation of the contoured, low-side fiberglass seat.
- 6 **Anchor Assembly** (p/n 13-103, see spec sheet for SRS-909): The anchor base is constructed of a 5" (127mm) schedule 40 carbon steel pipe. 3/4" (19.1mm) holes are drilled to allow for reinforcement rods. A 10" x 12 x 3/8 (254mm x 304.8 x 9.5) mounting plate is welded to the base. Inserts are welded to the plate to allow 5/8" dia. (15.88mm) securing bolts. A grounding lug is also provided.

Additional Product Numbers: N/A

Shipping Weight: 330 lbs (150kg)

Specification Number:	SRS-105		S.R. Smith, LLC P.O. Box 400, 1017 SW Berg Parkway Canby, Oregon 97013 Tel: (888) 677-7776 (503) 266-2231 Fax: (503) 266-4334 www.srsmith.com
Product Description:	Cantilever Lifeguard Stand		
S.R. Smith Part Number:	CAT-LG-101		
Revision:	A	Date: 05/09/03	
Written By:	T. Weil	Date: 05/09/03	
Approved By:	B. Bisceglia	Date: 05/12/03	
Page 2 of 2	<small>Proprietary and confidential: The information contained in this specification is the sole property of S.R. Smith LLC. Any reproduction in part or whole without the written consent of S.R. Smith LLC is prohibited.</small>		