



Product Specifications - Written

Vortex Slide – Stairway, Open Flume

Product Name: Vortex®

Part Numbers: 695-209-324, 695-209-33

General Notes:

The **Vortex** is a polyethylene slide with a circular runway and steel ladder. The **Vortex** is only offered in a right hand turn.

Application:

This slide is intended for heavy duty use on in-ground residential or commercial pools. With proper deck anchoring, this product is suitable for use in most geographic regions. Consult with your local building code official for site specific requirements. The weight limit for this slide is 325 lbs.

Specifications:

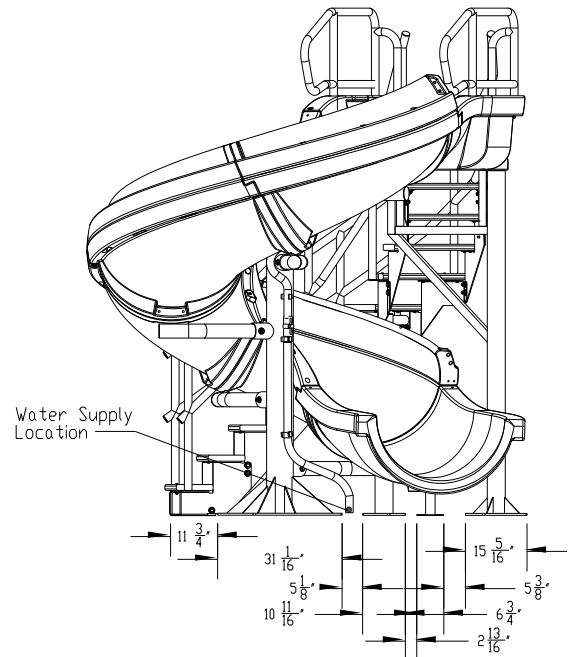
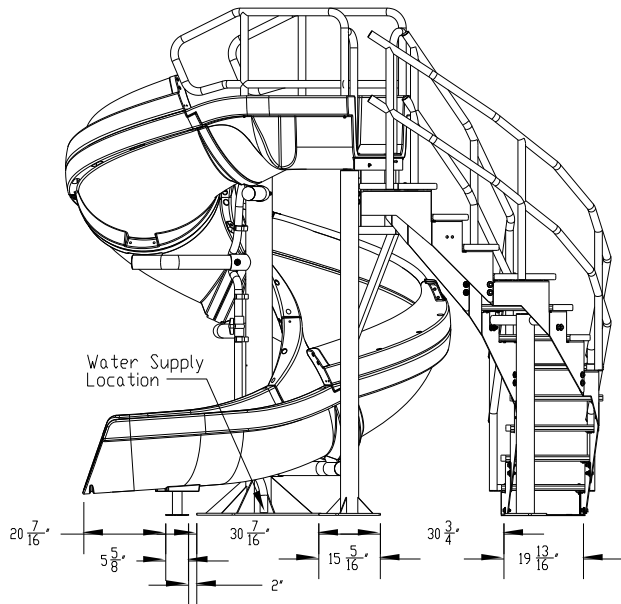
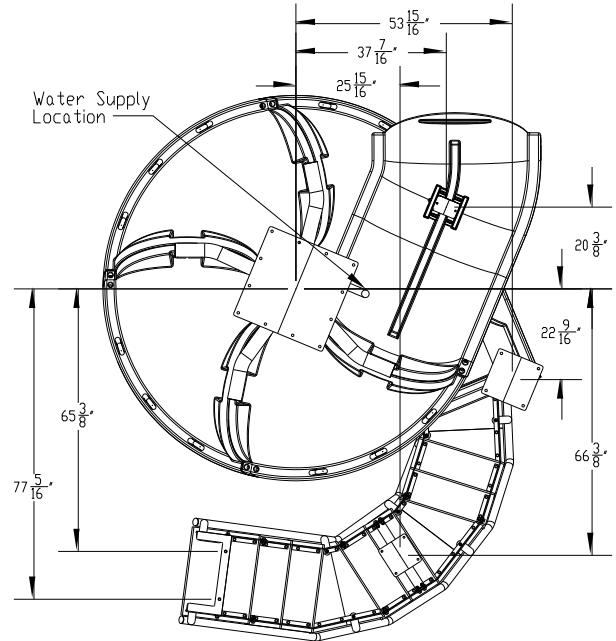
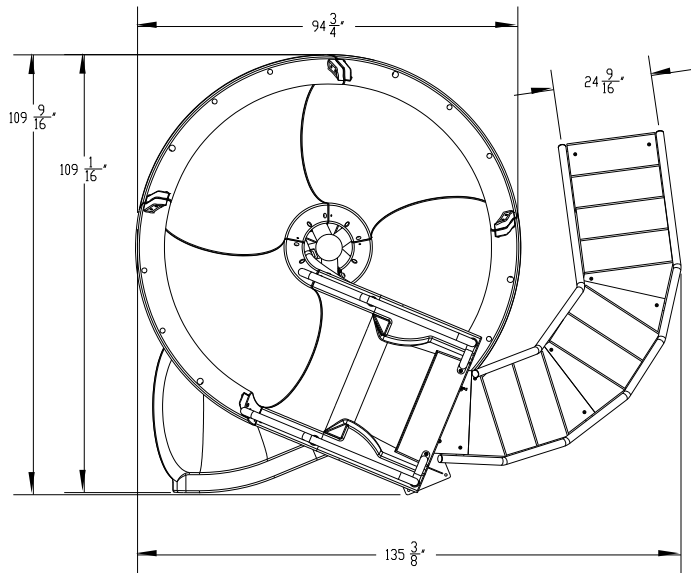
- 1 **Runway:** The slide runway is made from thick, durable, roto-molded polyethylene. The water delivery system comes standard with the slide utilizing 1.5” PVC flex hose for a flow rate of up to 30 GPM. The slide length is 19’ 11”.
- 2 **Handrail:** The two (2) stairway handrails are attached securely to the stairs and are made of 1.5” 304 SS (O.D. 1.90”).
- 3 **Stairs:** The stairway semi-circular hybrid with structural grade HDPE weather and slip resistant steps. The steps are spaced 7.5” vertically for smooth ascension and are 9” deep for a comfortable footing.
- 4 **Anchor Assembly (Included):** The slide is anchored to the deck using sixteen (16) ½” (12.70mm) diameter stainless steel anchor studs and two (2) 3/8” (9.53mm) diameter stainless steel anchor studs, with hardware.
- 5 **Plumbing:** The slide will be equipped with hardware to plumb a 1.5” nominal flex hose to the supply location shown on page two of the spec sheet.

Product Numbers and Shipping Weight:

MODEL NUMBER	DESCRIPTION	SHIPPING WEIGHT
695-209-324	Vortex Stair, Open Flume – Gray Granite	1860 lbs. (843.7kg)
695-209-33	Vortex Stair, Open Flume - Blue	1860 lbs. (843.7kg)

Specification Number:	SRS-215		S.R. Smith, LLC P.O. Box 400, 1017 SW Berg Parkway Canby, Oregon 97013 Tel: (800) 824-4387 (503) 266-2231 Fax: (503) 266-4334 www.srsmith.com
Product Description:	Vortex® Slide		
S.R. Smith Part Number:	695-209-324, 695-209-33		
Revision:	C	Date: 7/25/13	
Written By:	Mikha Kaiel	Date: 5/21/09	
Approved By:			
Page 3 of 3	Proprietary and confidential: The information contained in this specification is the sole property of S.R. Smith LLC. Any reproduction in part or whole without the written consent of S.R. Smith LLC is prohibited.		

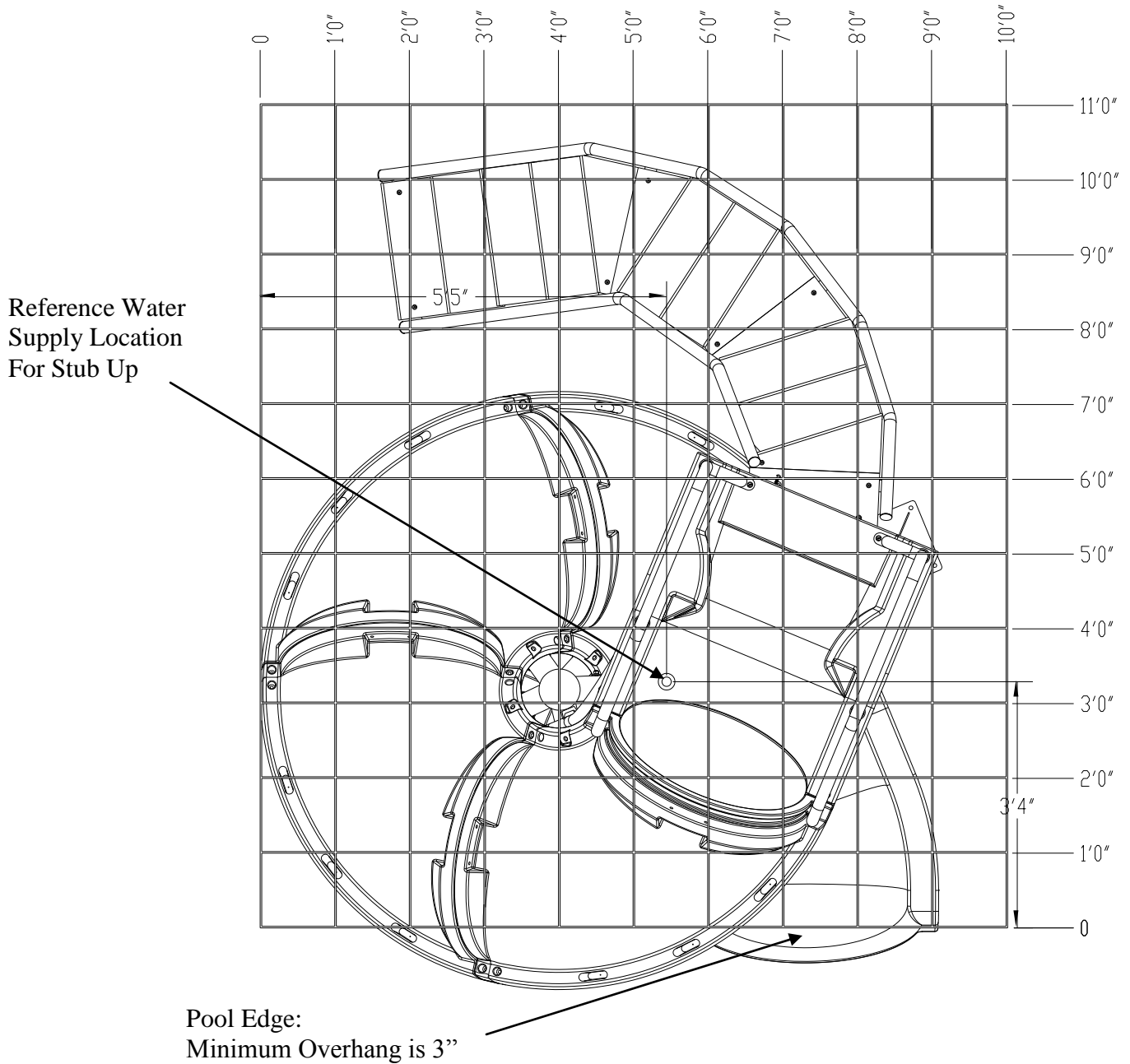
VORTEX[®] SLIDE – STAIRWAY, OPEN FLUME



Specification Number:	SRS-215	
Product Description:	VORTEX[®] Slide Stairway Open Flume	
S.R. Smith Part Number:	695-209-33, 324	Scale: NTS
Revision:	C	Date: 7/25/13
Written By:	MIKHA KAIEL	Date: 5/21/09
Approved By:		
Page 1 of 3	Proprietary and confidential: The information contained in this specification is the sole property of S.R. Smith LLC. Any reproduction in part or whole without the written consent of S.R. Smith LLC is prohibited.	

S.R. Smith, LLC
P.O. Box 400, 1017 SW Berg Parkway
Canby, Oregon 97013
Tel: (800) 824-4387 (503) 266-2231
Fax: (503) 266-4334
www.srsmith.com

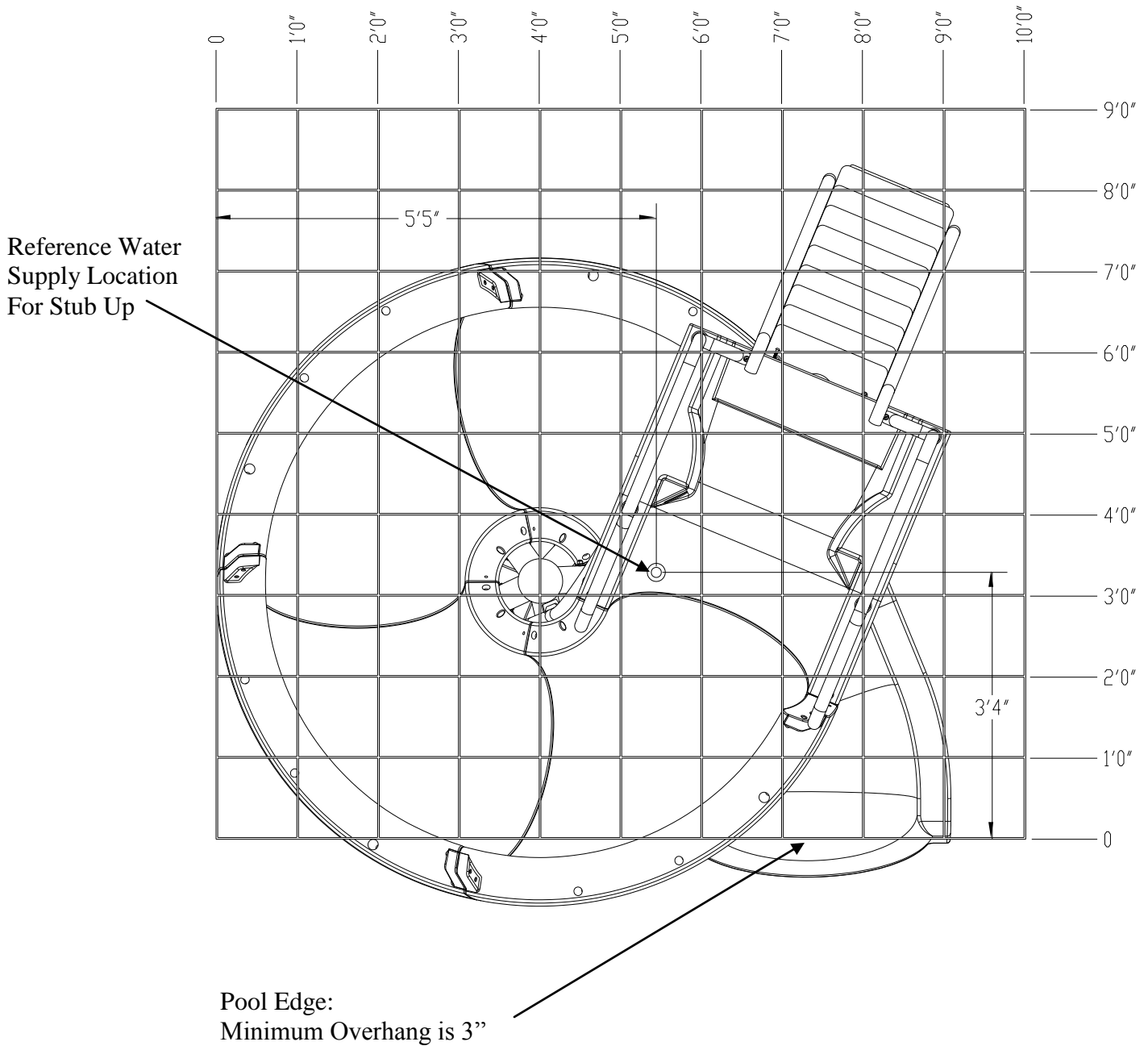
VORTEX[®] SLIDE PLACEMENT – STAIRWAY



Specification Number:	SRS-211	
Product Description:	VORTEX[®] Slide Stairway	
S.R. Smith Part Number:	695-209-324, 33, 43, 424	Scale: NTS
Revision:	C	Date: 7/25/13
Written By:	MIKHA KAIEL	Date: 5/21/09
Approved By:		
Page 1 of 3	Proprietary and confidential: The information contained in this specification is the sole property of S.R. Smith LLC. Any reproduction in part or whole without the written consent of S.R. Smith LLC is prohibited.	

S.R. Smith, LLC
P.O. Box 400, 1017 SW Berg Parkway
Canby, Oregon 97013
Tel: (800) 824-4387 (503) 266-2231
Fax: (503) 266-4334
www.srsmith.com

VORTEX[®] SLIDE PLACEMENT – LADDER



Specification Number:	SRS-212	
Product Description:	VORTEX[®] Slide Ladder	
S.R. Smith Part Number:	695-209-124, 13, 23, 224	Scale: NTS
Revision:	C	Date: 7/25/13
Written By:	MIKHA KAIEL	Date: 5/21/09
Approved By:		
Page 1 of 3	Proprietary and confidential: The information contained in this specification is the sole property of S.R. Smith LLC. Any reproduction in part or whole without the written consent of S.R. Smith LLC is prohibited.	

S.R. Smith, LLC
P.O. Box 400, 1017 SW Berg Parkway
Canby, Oregon 97013
Tel: (800) 824-4387 (503) 266-2231
Fax: (503) 266-4334
www.srsmith.com