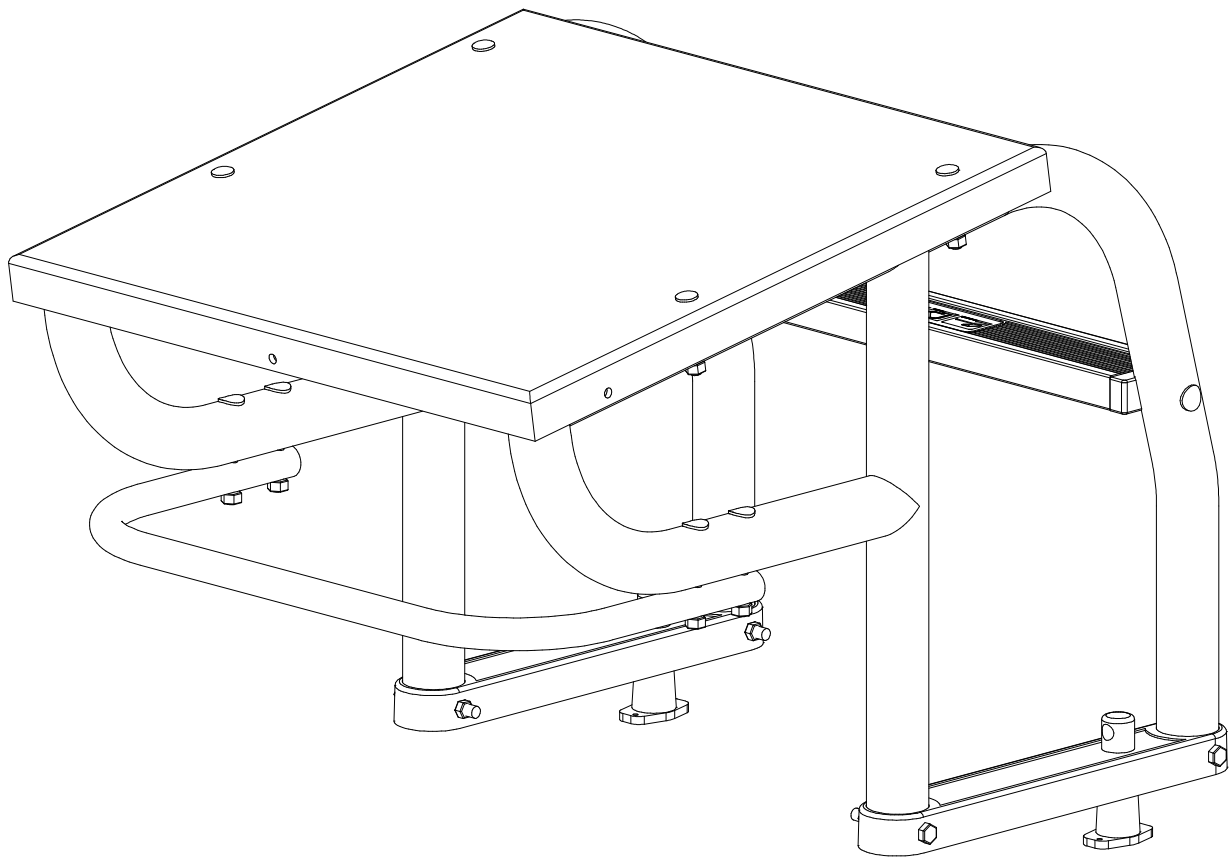




## DELUXE LOW PROFILE 18" & 30" STARTING PLATFORMS

### INSTALLATION INSTRUCTIONS



**CORPORATE HEADQUARTERS  
WESTERN SALES AND MANUFACTURING PLANT  
P.O. Box 400 • 1017 SW Berg Parkway  
Canby, Oregon 97013  
(503) 266-2231 • Fax (503) 266-4334  
[www.srsmith.com](http://www.srsmith.com)**

## Table of Contents

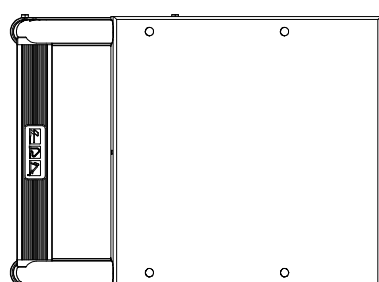
<u>Topic</u>	<u>Page #</u>
Introduction.....	2
Parts List.....	4-5
Manufacturer's Placement Instructions.....	6-7
Installation, Removal and Product Care.....	8

## INTRODUCTION

The Deluxe Low Profile 18" & 30" Starting Platforms are designed for use on in-ground competitive or municipal pools. Proper installation, use, and maintenance are essential for proper operation and to reduce the risk of accident or injury.

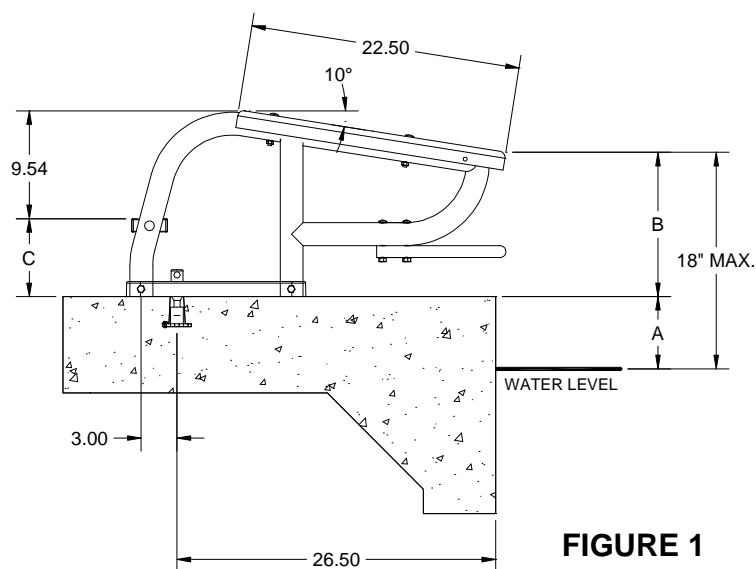
### **\*\*IMPORTANT\*\***

Check entire box and inside all packing materials for parts. Before beginning assembly, read the instructions and identify parts using the figures and parts listed in this document. It is critical that all parts be carefully inspected by the installer prior to installation to ensure that no damage occurred in transit and that a damaged part is not used. Proper installation cannot be overstressed, as an improper installation voids S.R. Smith's warranty and may affect the safety of the user.

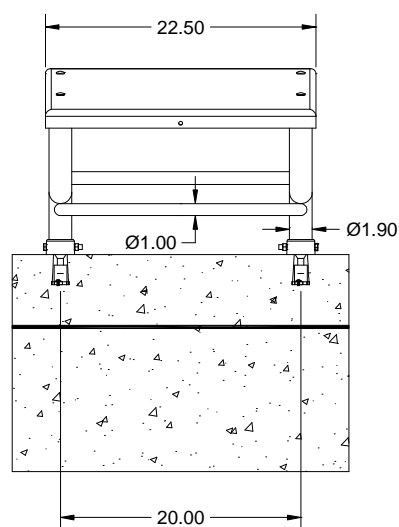


**A41795-1**

A	B	C
0.0	18.00	11.61
0.5	17.50	11.11
1.0	17.00	10.61
1.5	16.50	10.11
2.0	16.00	9.61
2.5	15.50	9.11
3.0	15.00	8.61
3.5	14.50	8.11
4.0	14.00	7.61
4.5	13.50	7.11
5.0	13.00	6.61
5.5	12.50	6.11
6.0	12.00	5.61



**FIGURE 1**



# A41796-1

A	B	C
0.0	30.00	19.75
0.5	29.50	19.25
1.0	29.00	18.75
1.5	28.50	18.25
2.0	28.00	17.75
2.5	27.50	17.25
3.0	27.00	16.75
3.5	26.50	16.25
4.0	26.00	15.75
4.5	25.50	15.25
5.0	25.00	14.75
5.5	24.50	14.25
6.0	24.00	13.75
6.5	23.50	13.25
7.0	23.00	12.75
7.5	22.50	12.25
8.0	22.00	11.75
8.5	21.50	11.25
9.0	21.00	10.75
9.5	20.50	10.25
10.0	20.00	9.75
10.5	19.50	9.25
11.0	19.00	8.75
11.5	18.50	8.25
12.0	18.00	7.75

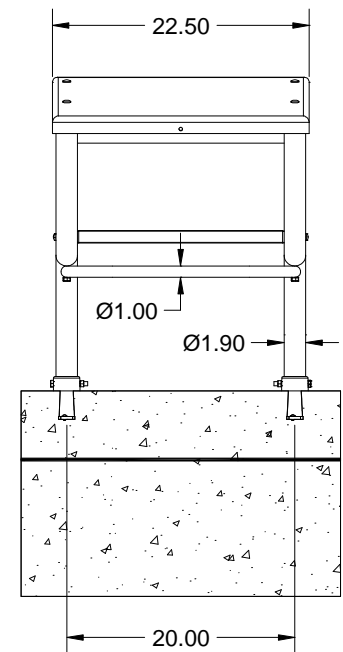
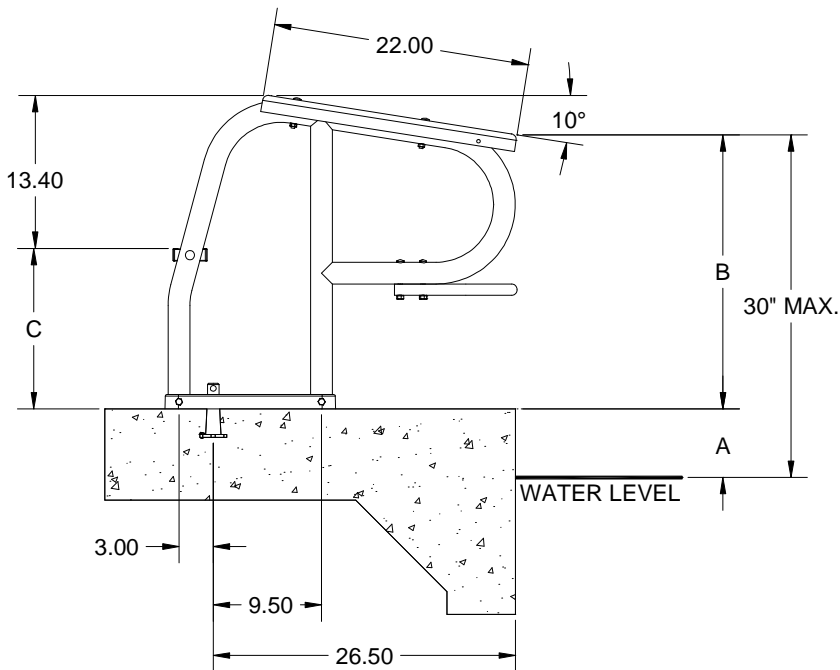
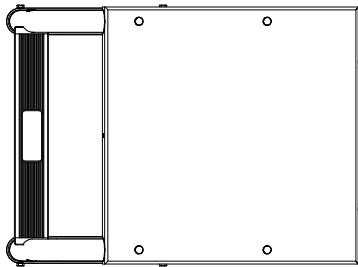
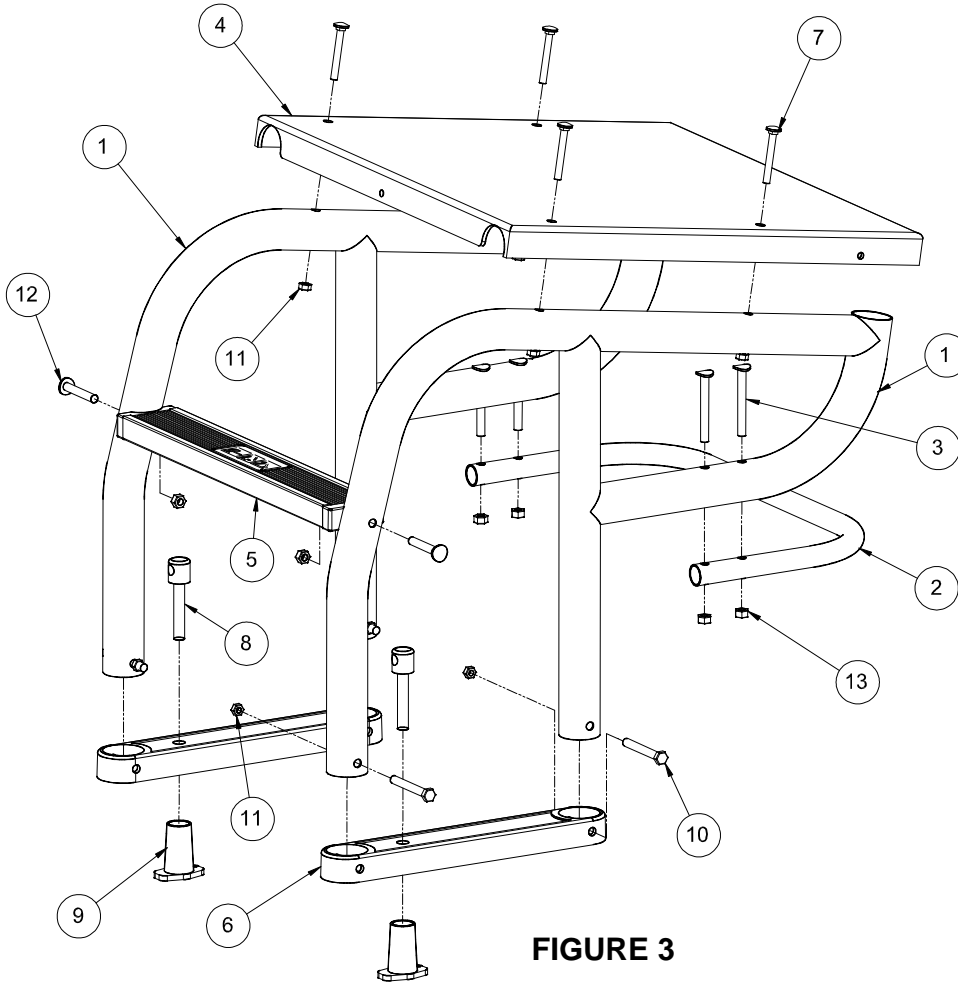


FIGURE 2

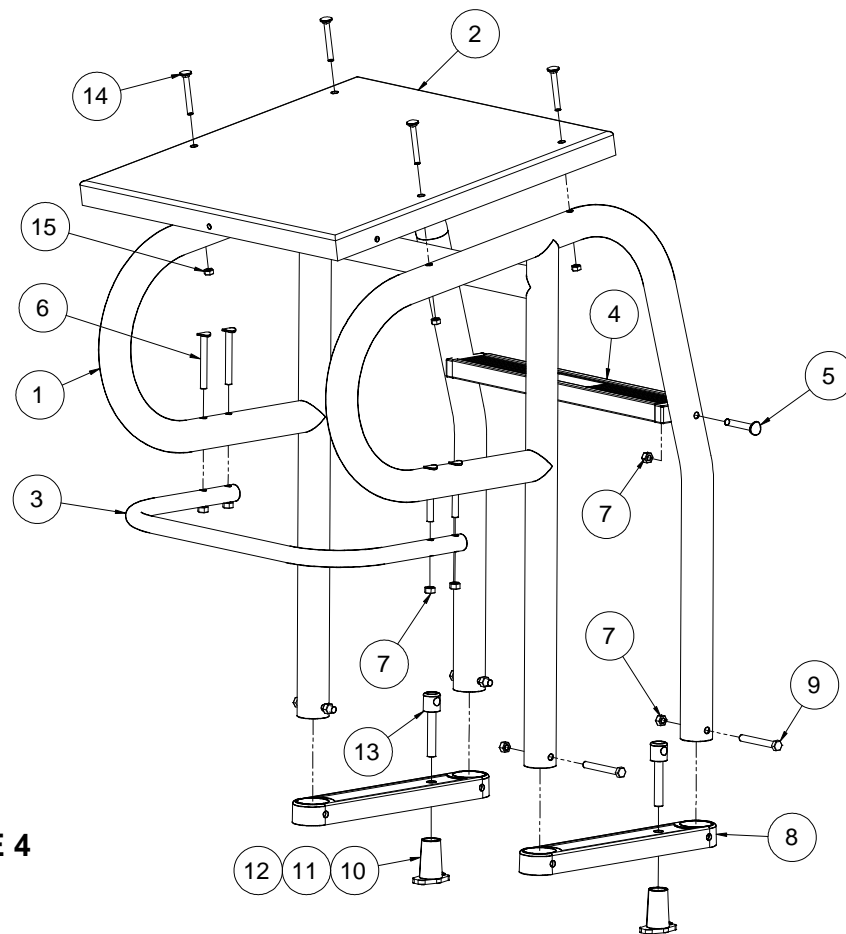
# DELUXE LOW PROFILE A41795-1



**FIGURE 3**

ITEM NO.	QTY.	PART NO.	DESCRIPTION
1	2	2402190	9 DEG SIDE RAIL, S/S
2	1	2402050	BACKSTROKE BAR, S/S
3	4	5-167	CRADLE HEAD BOLT, 3/8" UNC X 3-1/4" LG, SS
4	1	A40190-5	PLATFORM, 22" X 22"
5	1	LTDF-105	20" ELITE TREAD W/ NO HARDWARE
6	2	2402030	ANCHOR PLATE, BRONZE
7	4	2024291	CARRIAGE BOLT, 5/16 X 2-1/2, S/S
8	2	A40215-1	BOLT, FLUSH ANCHOR, BRONZE
9	2	2402120	BASE, FLUSH ANCHOR, BRONZE
10	4	2024234	BOLT, HEX HEAD, 3/8-16 X 3" LG, S/S
11	4	2022650	HEX NUT, 5/16-18, S/S
12	2	5-170	3/8"-16 X 2-1/2" CRADLE HEAD BOLT
13	10	5-139	3/8" UNC, HEX NUT, SS
14	2	2406150	WASHER, 1/2 X .20 X .040 BR.
15	2	2024040	SCREW, 10-24 X3/8 BR RHMS

## DELUXE LOW PROFILE A41796-1



**FIGURE 4**

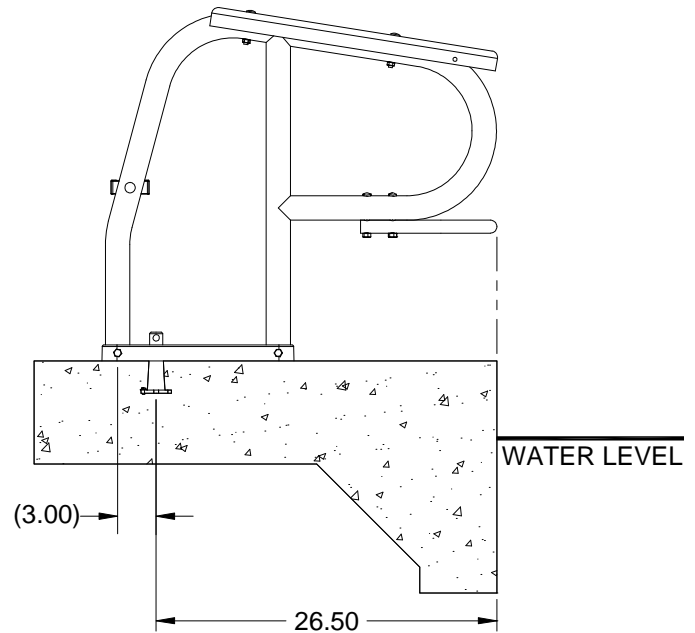
ITEM NO.	QTY.	PART NO.	DESCRIPTION
1	1	20-134	FRAME ASSEMBLY, A41796-1
2	1	A40190-5	PLATFORM, 22" X 22"
3	1	2402050	BACKSTROKE BAR, S/S
4	1	LTDF-105	20" ELITE TREAD W/ NO HARDWARE
5	2	5-170	3/8"-16 X 2-1/2" CRADLE HEAD BOLT
6	4	5-167	CRADLE HEAD BOLT, 3/8" UNC X 3-1/4" LG, SS
7	10	5-139	3/8" UNC, HEX NUT, SS
8	2	2402030	ANCHOR PLATE, BRONZE
9	4	2024234	BOLT, HEX HEAD, 3/8-16 X 3" LG, S/S
10	2	2402120	BASE, FLUSH ANCHOR, BRONZE
11	2	2406150	WASHER, 1/2 X .20 X .040 BR.
12	2	2024040	SCREW, 10-24 X3/8 BR RHMS
13	2	A40215-1	BOLT, FLUSH ANCHOR, BRONZE
14	4	2024291	CARRIAGE BOLT, 5/16 X 2-1/2, S/S
15	4	2022650	HEX NUT, 5/16-18, S/S

## DELUXE LOW PROFILE ANCHOR INSTALLATION INSTRUCTIONS

1. **NOTE:** POSITION CENTER OF ANCHOR 26-1/2" BACK FROM THE POOL WALL. See **FIGURE 5** and **FIGURE 6**.

2. Properly ground the anchor using attached grounding screw and appropriate grounding wire per local codes. Place top of **Flush Anchor Base (2402120)** level with deck.

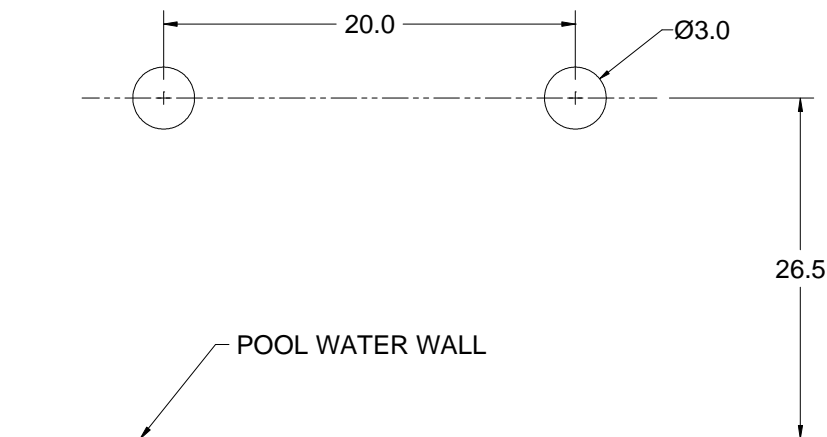
3. The DELUXE Starting Platforms are to be anchored to the deck using one **(A41659-0)** anchor assembly. Holes need to be drilled in the **Anchor Plate (2402030)** after the **Flush Anchor (2402120)** has been permanently set in the deck. Allow concrete to fully cure before installing the DELUXE Starting Platform.



**FIGURE 5**

### INSTALLATION INSTRUCTIONS TO MOUNT ANCHOR IN AN EXISTING DECK

4. Cut Two 3" diameter holes, 2.75" deep in the existing deck. Place the holes according to **FIGURE 6** (Make certain dimensions from pool water wall of pool are used – not from curb at deck top).



**FIGURE 6**

5. Insert the anchor in the hole so that the top of the anchor is flush with the deck top (see **FIGURE 7**) and the anchor is centered in the hole. Verify that the anchors are in the correct position according to **FIGURES 6 & 7**.

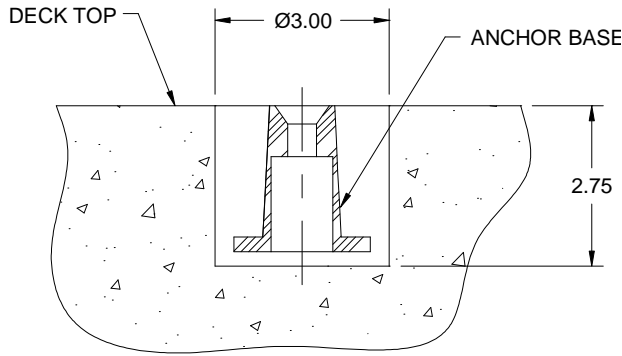


FIGURE 7

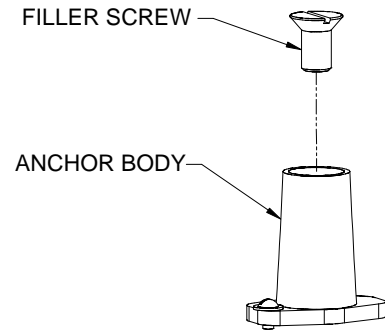


FIGURE 8

6. Use hydraulic cement to secure the anchors to the deck. Filler screws (provided) should be used to prevent cement from entering the anchor threads. See **FIGURE 8**. The cavity in the bottom of the anchors should be covered with tape to prevent cement or grout from entering. Anchors should be properly bonded before pouring cement. If electrical bonding is required by the local governmental regulations, it shall be done in accordance with Article No. 680 of the current National Electrical Code or the local code whichever is greater. Two 10-24UNC machine screws are provided for this purpose. See **FIGURE 9**.

7. After anchors have been set in place, position the starting platform grab rail parallel and flush with the pool water wall. In order to properly locate and drill the hole in the **Anchor Plate**, place the starting platform with the edge of the **Anchor Plate** directly over the center of the **Anchor Body**. Make a mark on the side of the **Anchor Plate** directly adjacent to the center of the **Anchor Base**. Transfer this mark to the top and center of the **Anchor Plate**. (When installed, the slots on the heads of the **Filler Screws** may be rotated so they are perpendicular to the **Anchor Plate** and used to more accurately determine the center of the **Anchor Base**) Drill a 9/16" diameter (14mm) hole through the **Anchor Plate**. Repeat for the other side. See **FIGURE 10**.

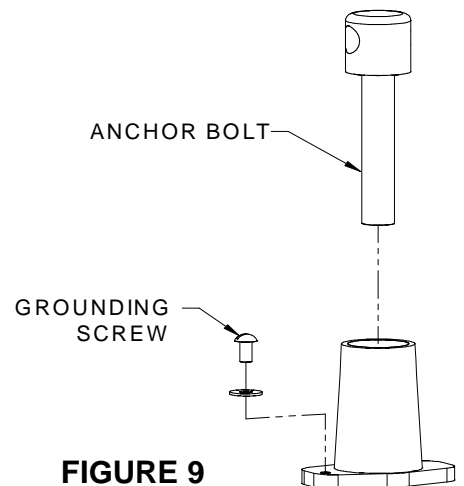


FIGURE 9

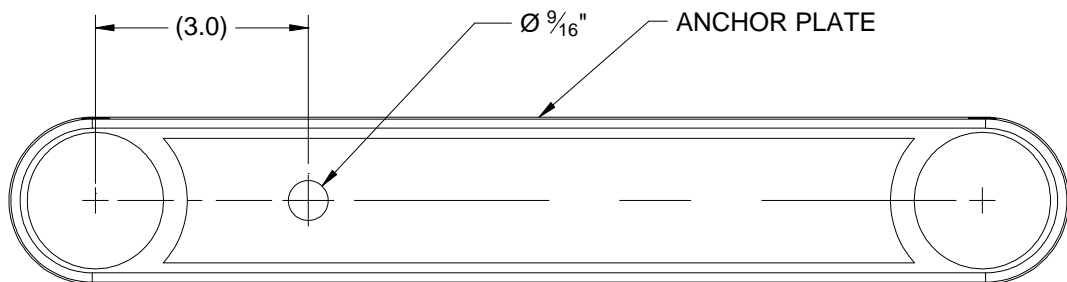
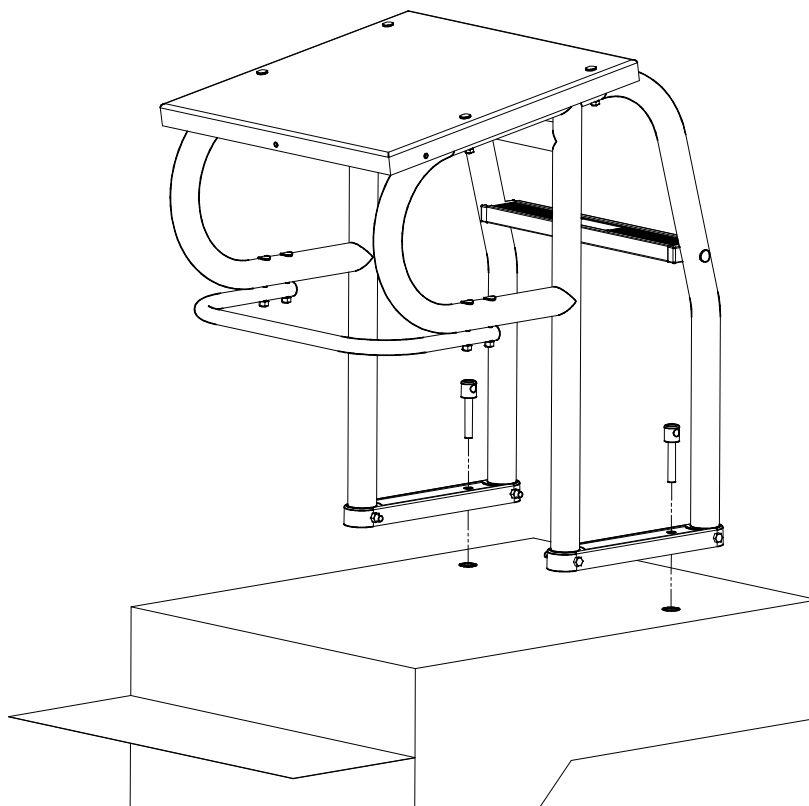


FIGURE 10

8. Installation and removal as shown below in **FIGURE 11**.



**FIGURE 11**

### **SAFETY & MAINTENANCE INSTRUCTIONS**

- **Execute shallow racing dives only.**
- For use by trained competitive swimmers only.
- Periodically inspect the Deluxe Low Profile Starting Platform to assure there are no worn parts and that all hardware is properly tightened.
- All stainless steel parts require periodic maintenance. Polishing with a cotton cloth and a Windex-type product maintains the finish and restores luster.
- Use non-abrasive soap and water. Avoid harsh chemicals and disinfectants. Always read the label instructions on any cleaner carefully before applying it to a surface.