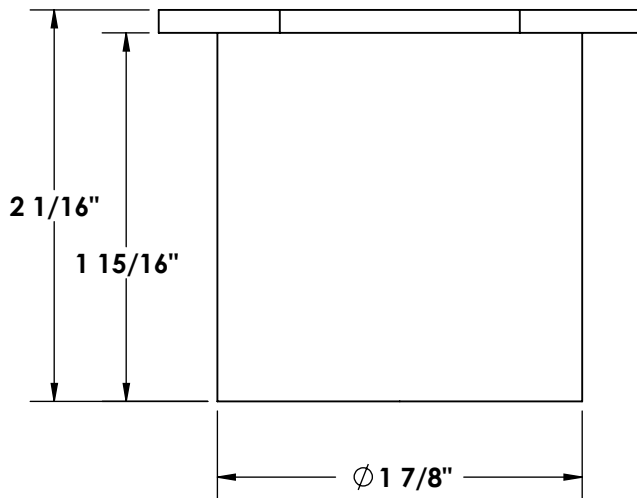
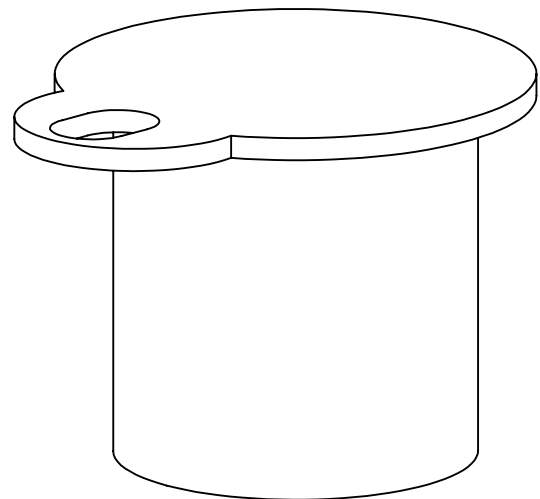
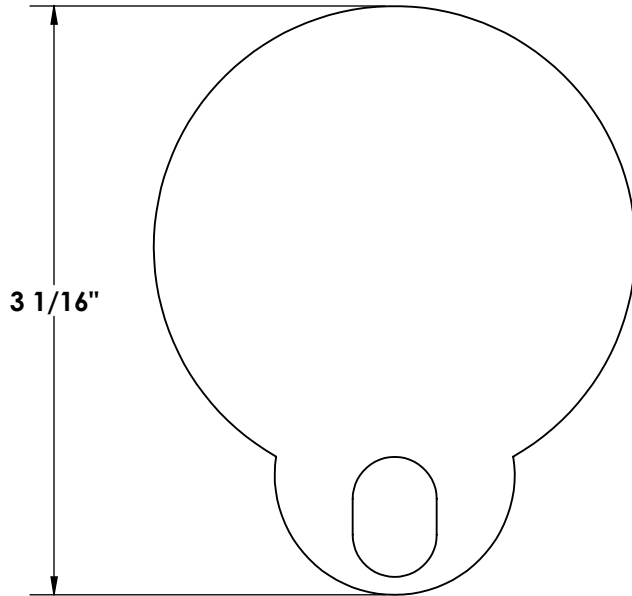


**ANCHORS AND ACCESSORIES  
MODEL - WEDGE ANCHOR CAP**



 Dimensions vary with specific applications.

\*Note: Specifications are nominal and are subject to change.

Please contact Spectrum Aquatics for custom applications.



7100 Spectrum Lane  
Missoula, Montana 59808  
406.542.9781 \* 800.791.8056  
Fax: 406.542.1158  
www.spectrumproducts.com

**ENGINEERING DATA**

PRODUCT:	WEDGE ANCHOR CAP
PRODUCT #:	24012-00
REVISION:	A
MATERIAL:	304 STAINLESS STEEL (UNS S30400)