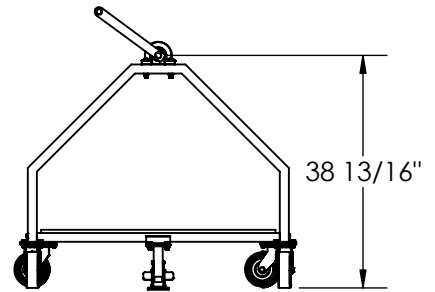
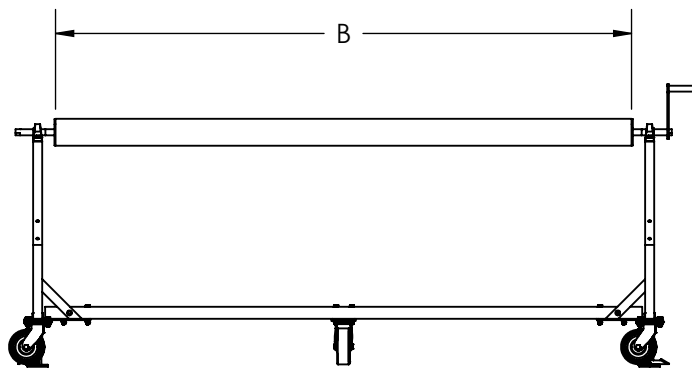
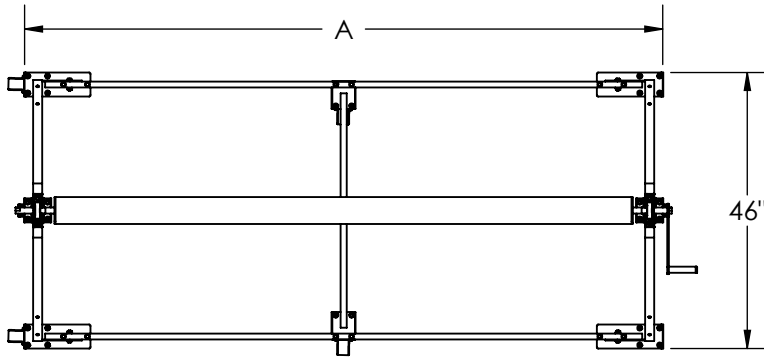
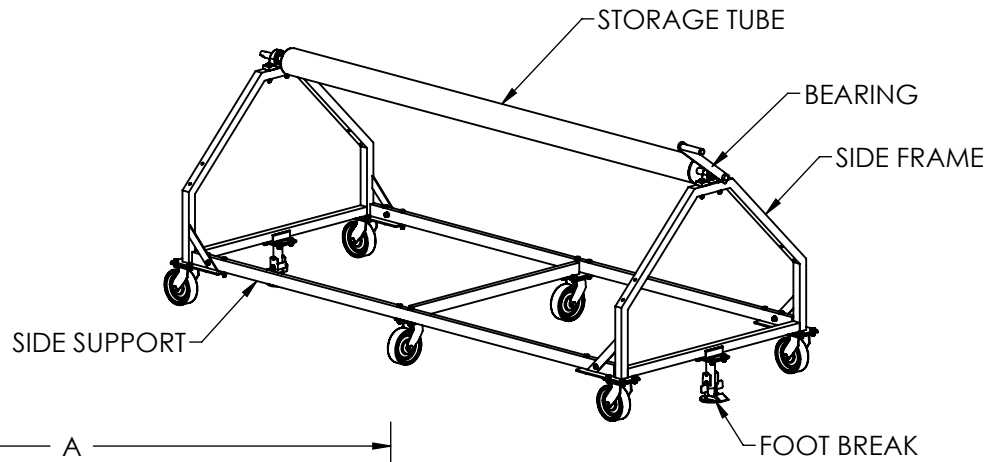


# THERMAL-KING SERIES MODEL - BITTERROOT I



**NOTE:**

**1** DIMENSIONS VARY WITH SPECIFIC APPLICATIONS.  
SPECIFICATIONS ARE NOMINAL AND ARE SUBJECT TO CHANGE.  
PLEASE CONTACT SPECTRUM AQUATICS FOR CUSTOM APPLICATIONS.

SIZE	A	B
15 FOOT	214.125"	192"
18 FOOT	250.125"	228"
20 FOOT	274.125"	252"



7100 Spectrum Lane  
Missoula, Montana 59808  
406.542.9781 \* 800.791.8056  
Fax: 406.542.1158  
www.spectrumproducts.com

## ENGINEERING DATA

PRODUCT:	BITTERROOT I
PRODUCT #:	50120
REVISION:	B
MATERIAL:	304 SERIES STAINLESS STEEL