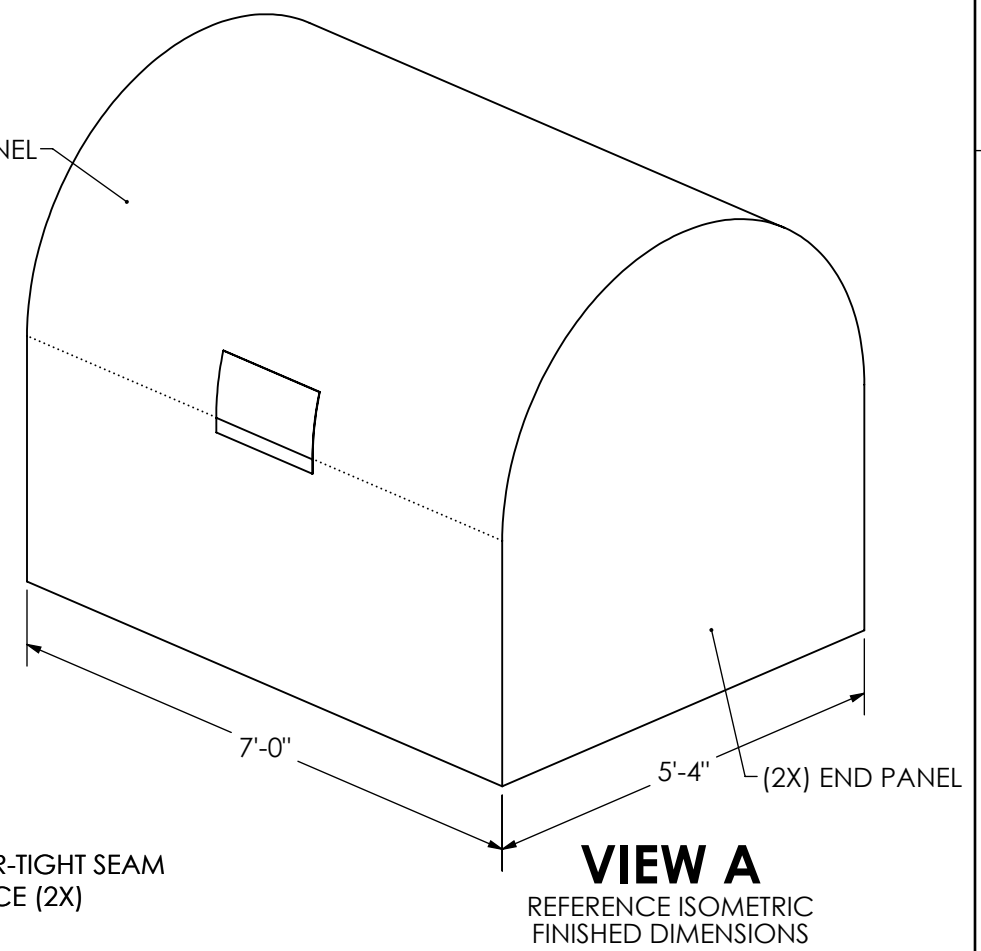
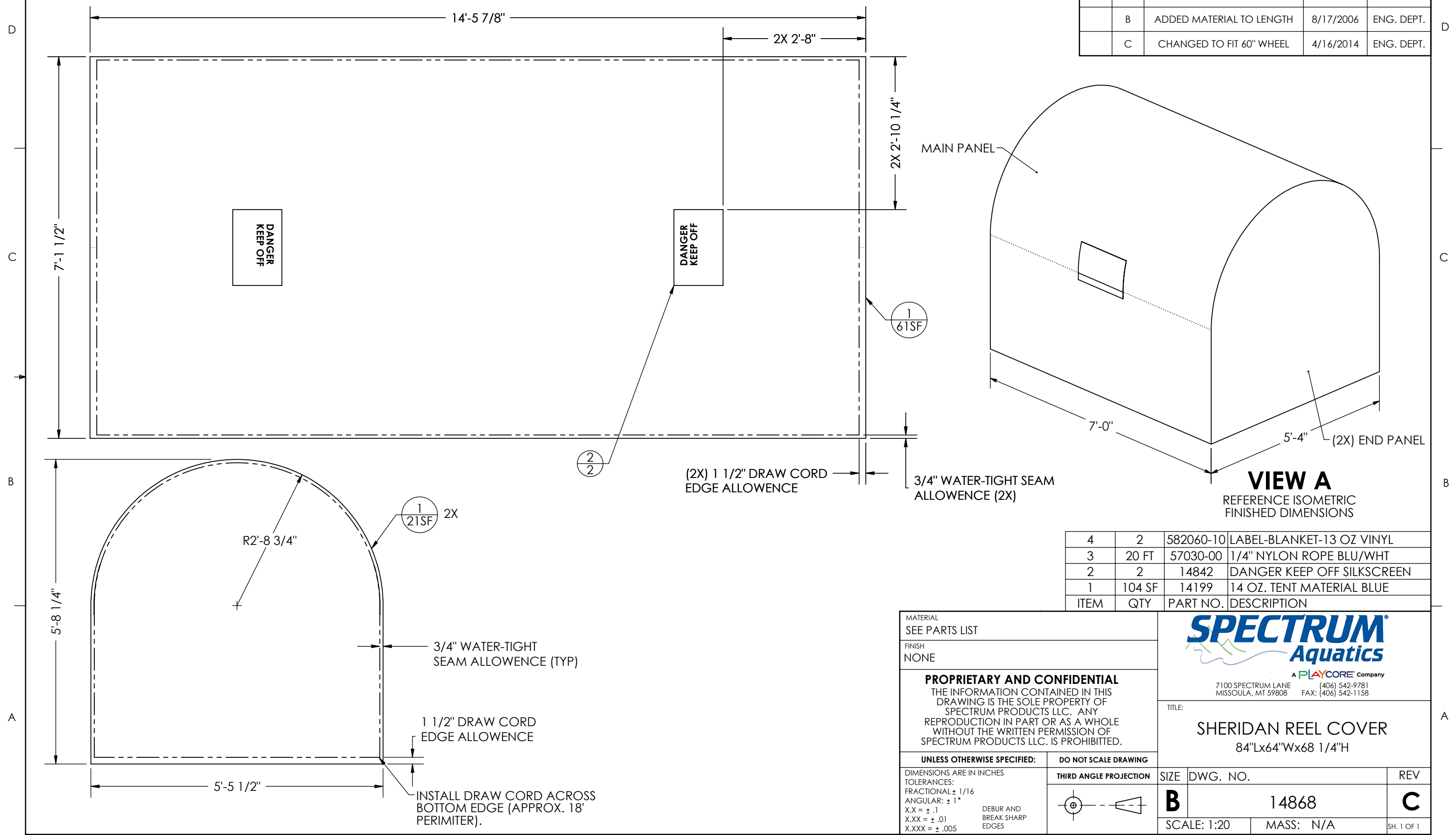


NOTES:

- 1. SEAM ROLL MATERIAL AS REQUIRED TO ACHIEVE FINISHED COVER.
- 2. WATER-TIGHT SEAM OR DRAW-CORD EDGING WITH REINFORCED STITCHING AS NECESSARY TO ACHIEVE FINISHED COVER.
- 3. UNLESS OTHERWISE NOTED ALL DIMENSIONS ± 1/2"

REVISIONS				
ZONE	REV.	DESCRIPTION	DATE	APPROVED
	A	PRODUCTION	6/28/2006	ENG. DEPT.
	B	ADDED MATERIAL TO LENGTH	8/17/2006	ENG. DEPT.
	C	CHANGED TO FIT 60" WHEEL	4/16/2014	ENG. DEPT.



ITEM	QTY	PART NO.	DESCRIPTION
4	2	582060-10	LABEL-BLANKET-13 OZ VINYL
3	20 FT	57030-00	1/4" NYLON ROPE BLU/WHT
2	2	14842	DANGER KEEP OFF SILKSCREEN
1	104 SF	14199	14 OZ. TENT MATERIAL BLUE

MATERIAL
SEE PARTS LIST

FINISH
NONE

PROPRIETARY AND CONFIDENTIAL
THE INFORMATION CONTAINED IN THIS DRAWING IS THE SOLE PROPERTY OF SPECTRUM PRODUCTS LLC. ANY REPRODUCTION IN PART OR AS A WHOLE WITHOUT THE WRITTEN PERMISSION OF SPECTRUM PRODUCTS LLC. IS PROHIBITED.

UNLESS OTHERWISE SPECIFIED: DO NOT SCALE DRAWING

DIMENSIONS ARE IN INCHES
TOLERANCES:
FRACTIONAL: ± 1/16
ANGULAR: ± 1°
X.X = ± .1
X.XX = ± .01
X.XXX = ± .005

DEBUR AND BREAK SHARP EDGES

THIRD ANGLE PROJECTION

SPECTRUM Aquatics
A PLAYCORE Company

7100 SPECTRUM LANE (406) 542-9781
MISSOULA, MT 59808 FAX: (406) 542-1158

TITLE:
SHERIDAN REEL COVER
84"Lx64"Wx68 1/4"H

SIZE	DWG. NO.	REV
B	14868	C
SCALE: 1:20	MASS: N/A	SH. 1 OF 1