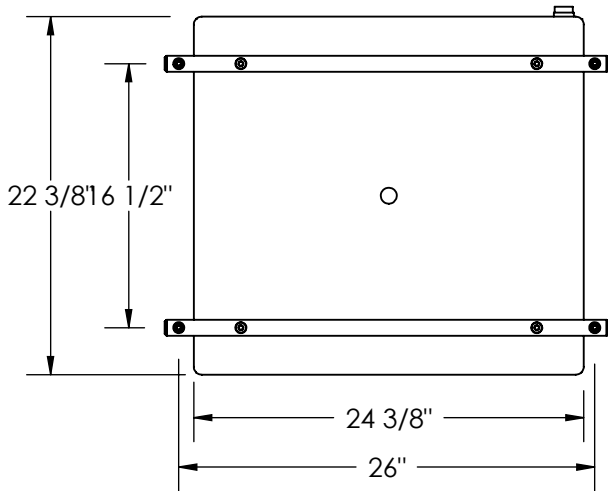
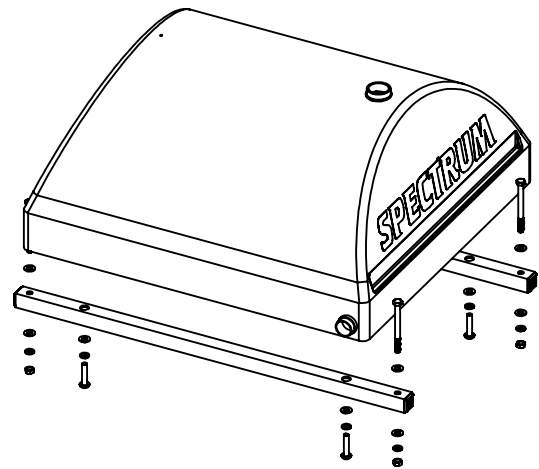
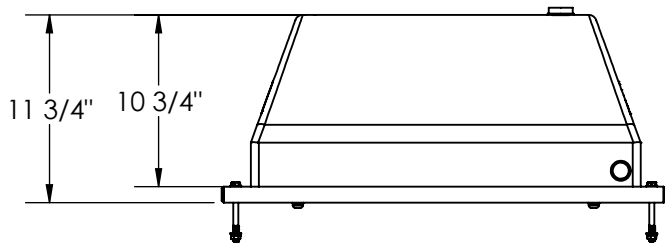


**GUARDIAN SERIES
MODEL - DISCOVERY BALLAST**



NOTE:



PLEASE CONTACT SPECTUM PRODUCTS FOR CUSTOM APPLICATIONS.

SPECTRUM
Products

7100 Spectrum Lane
Missoula, Montana 59808
406.542.9781 * 800.791.8056
Fax: 406.542.1158
www.spectrumproducts.com

ENGINEERING DATA

PRODUCT:	DISCOVERY BALLAST
PRODUCT #:	20145
REVISION:	A
MATERIAL:	304 SERIES STAINLESS STEEL