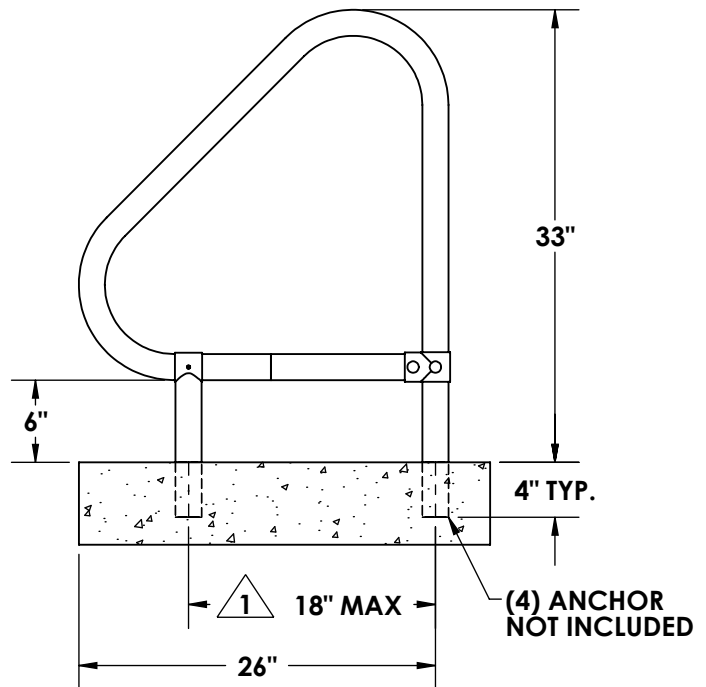
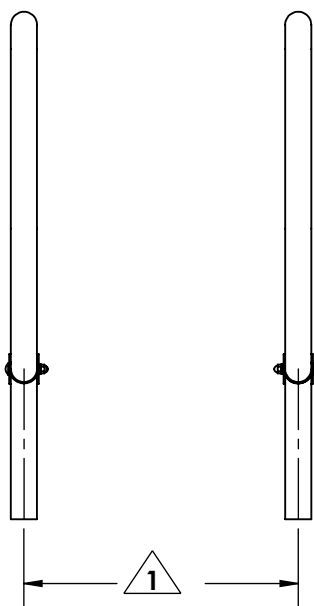
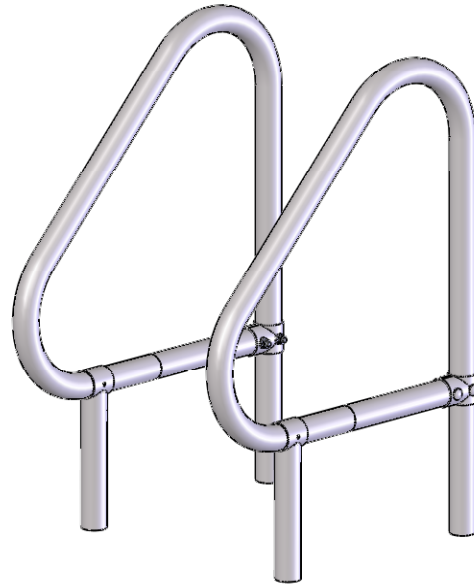


**GRAB RAILS
MODEL - PIKE**



NOTE:

1 DIMENSIONS VARY WITH SPECIFIC APPLICATIONS. SPECIFICATIONS ARE NOMINAL AND ARE SUBJECT TO CHANGE. PLEASE CONTACT SPECTRUM AQUATICS FOR CUSTOM APPLICATIONS.



7100 Spectrum Lane
Missoula, Montana 59808
406.542.9781 * 800.791.8056
Fax: 406.542.1158
www.spectrumproducts.com

ENGINEERING DATA

PRODUCT:	PIKE
PRODUCT #:	35099-.109 -- 1.90 x .109
REVISION:	A
MATERIAL:	300 SERIES STAINLESS STEEL