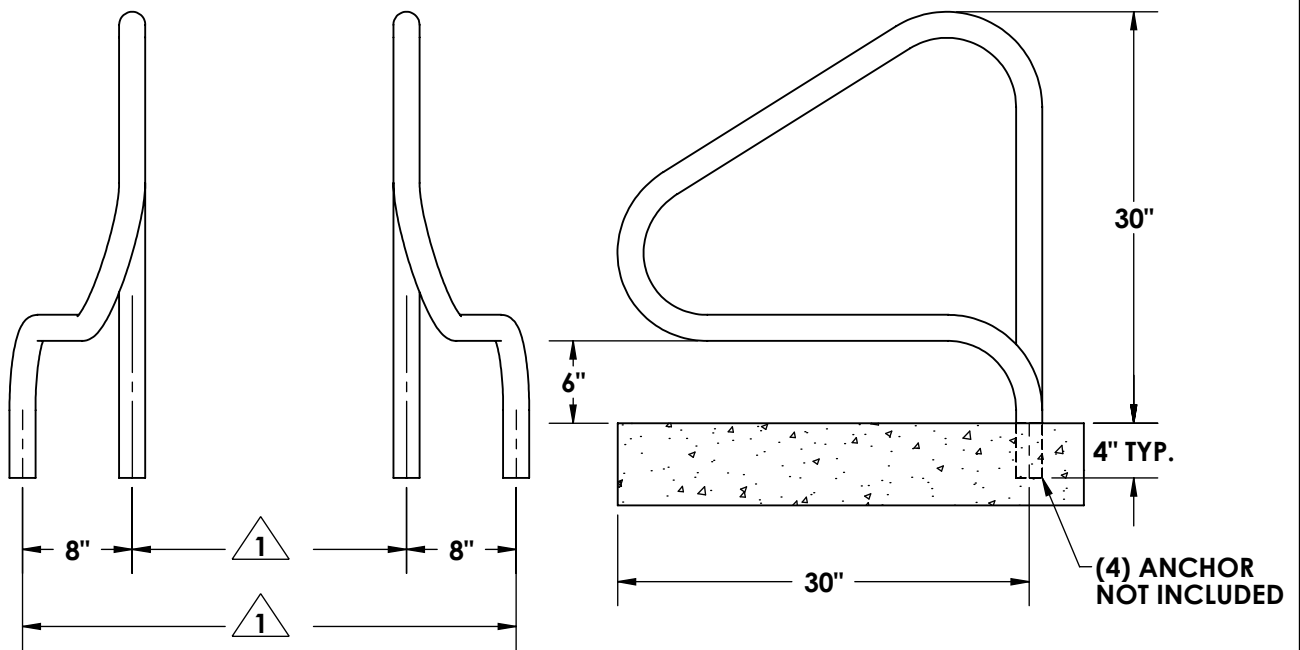
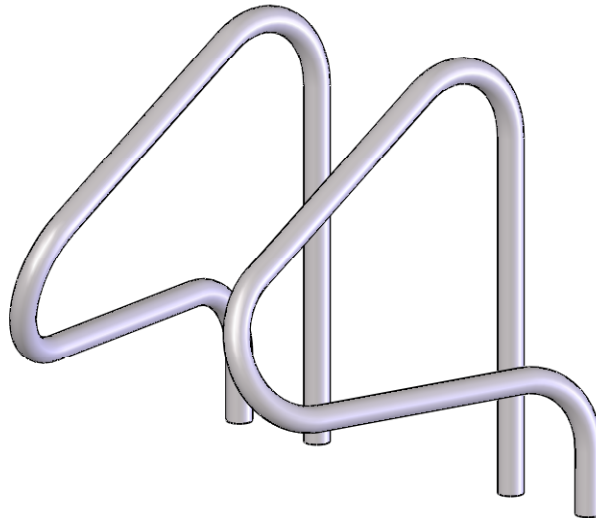


**GRAB RAILS
MODEL - CISCO 30"**



NOTE:

1 DIMENSIONS VARY WITH SPECIFIC APPLICATIONS.
SPECIFICATIONS ARE NOMINAL AND ARE SUBJECT TO CHANGE.
PLEASE CONTACT SPECTRUM AQUATICS FOR CUSTOM APPLICATIONS.



7100 Spectrum Lane
Missoula, Montana 59808
406.542.9781 * 800.791.8056
Fax: 406.542.1158
www.spectrumproducts.com

ENGINEERING DATA

| | |
|------------|----------------------------|
| PRODUCT: | CISCO 30" |
| PRODUCT #: | 35124-.120 |
| REVISION: | A |
| MATERIAL: | 300 SERIES STAINLESS STEEL |