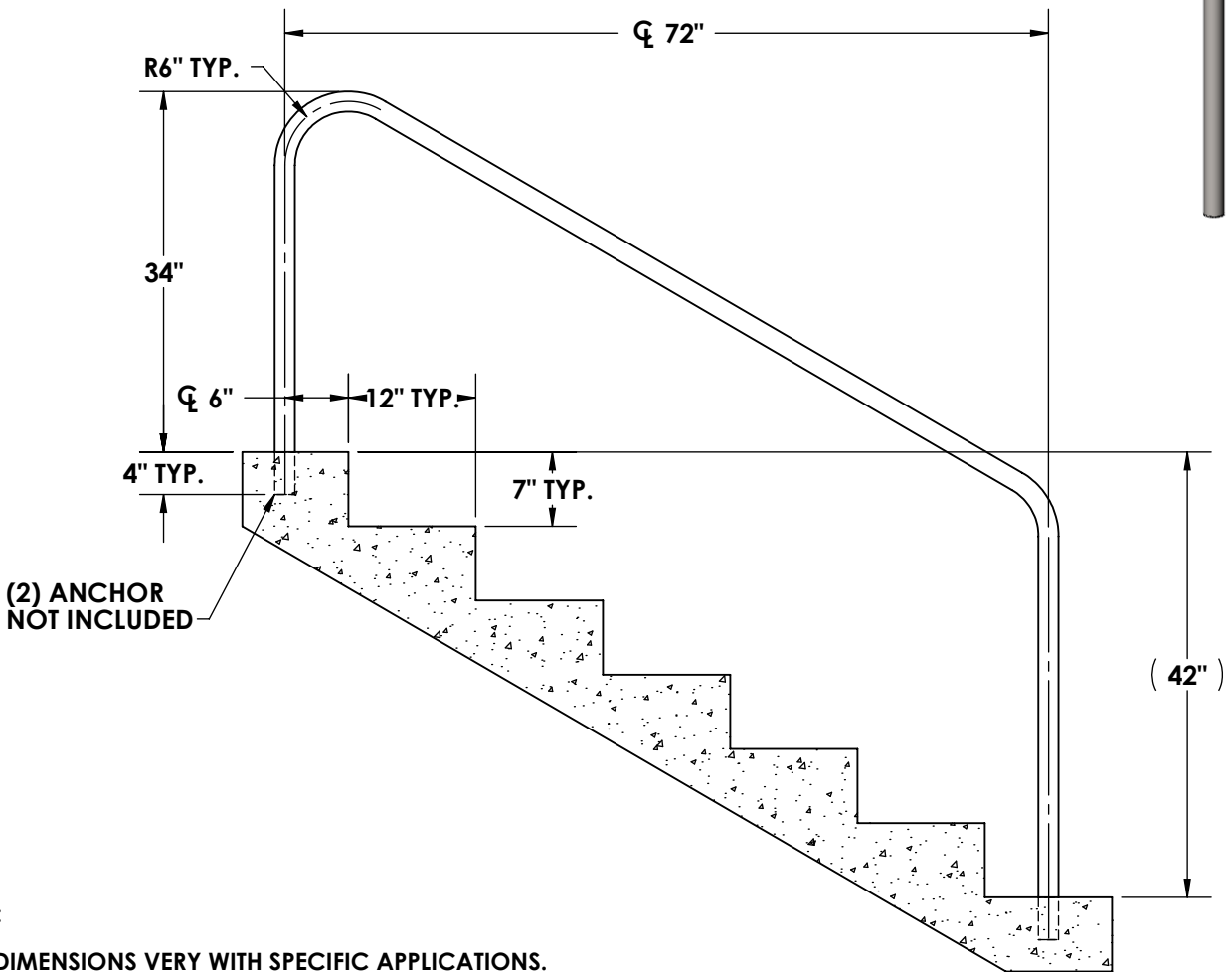
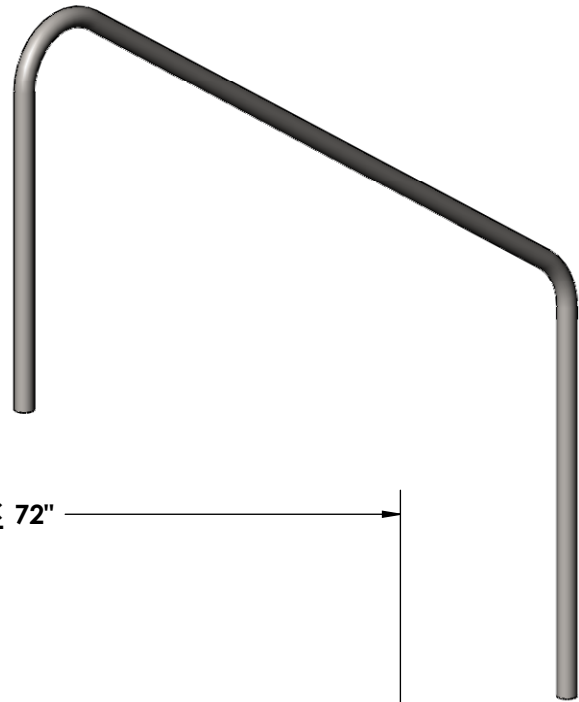


HANDRAILS
MODEL - 2 BEND STAIR RAIL 72"



NOTE:

1 **DIMENSIONS VARY WITH SPECIFIC APPLICATIONS.**
SPECIFICATIONS ARE NOMINAL AND ARE SUBJECT TO CHANGE.
PLEASE CONTACT SPECTUM AQUATICS FOR CUSTOM APPLICATIONS.



7100 Spectrum Lane
 Missoula, Montana 59808
 406.542.9781 * 800.791.8056
 Fax: 406.542.1158
 www.spectrumproducts.com

ENGINEERING DATA

| | |
|------------|----------------------------|
| PRODUCT: | 2 BEND STAIR RAIL 72" |
| PRODUCT #: | 35127-.120 |
| REVISION: | A |
| MATERIAL: | 300 SERIES STAINLESS STEEL |