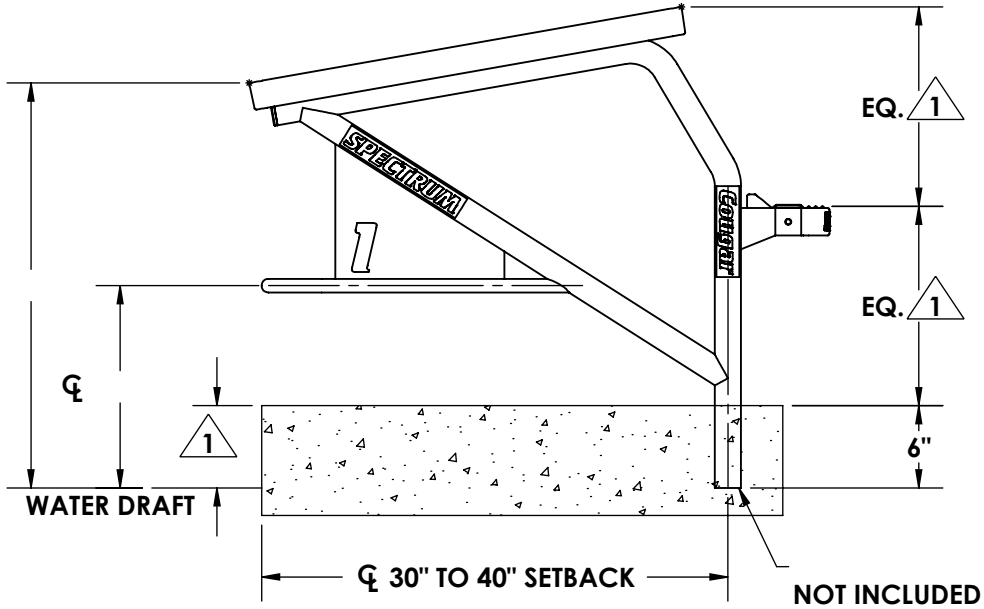
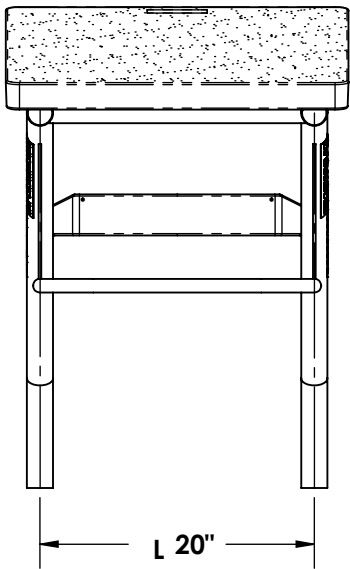
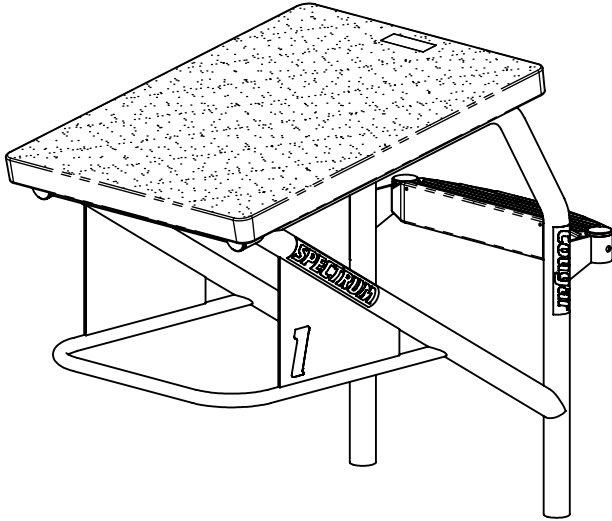
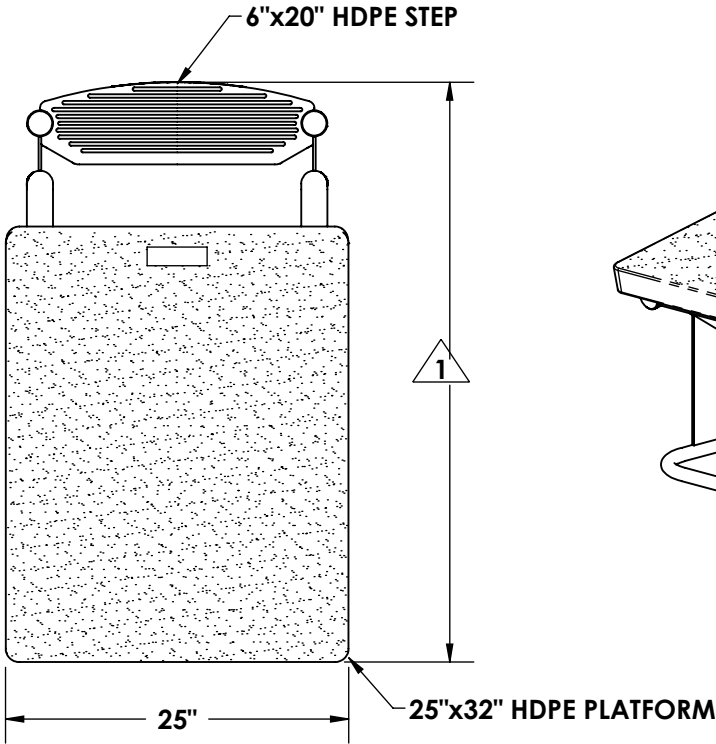


**STARTLINE
MODEL - COUGAR REAR STEP DP**



1 DIMENSIONS VARY WITH SPECIFIC APPLICATIONS.
SPECIFICATIONS ARE NOMINAL AND ARE SUBJECT TO CHANGE.
PLEASE CONTACT SPECTRUM PRODUCTS FOR CUSTOM APPLICATIONS.

SPECTRUM
Products

7100 Spectrum Lane
Missoula, Montana 59808
406.542.9781 * 800.791.8056
Fax: 406.542.1158
www.spectrumproducts.com

ENGINEERING DATA

| | |
|---------------------|----------------------------|
| COUGAR REAR STEP DP | |
| PRODUCT #: | |
| REVISION: | A |
| MATERIAL: | 300 SERIES STAINLESS STEEL |