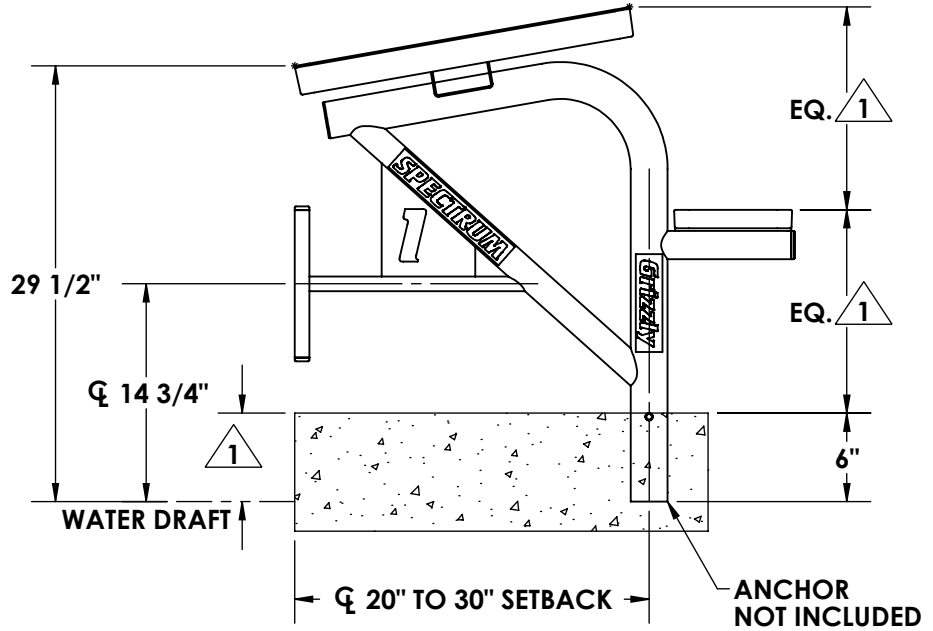
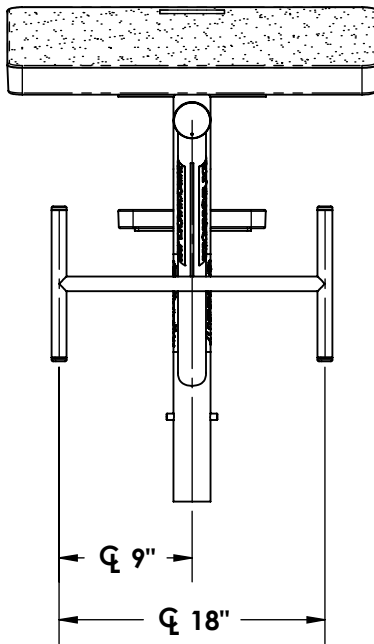
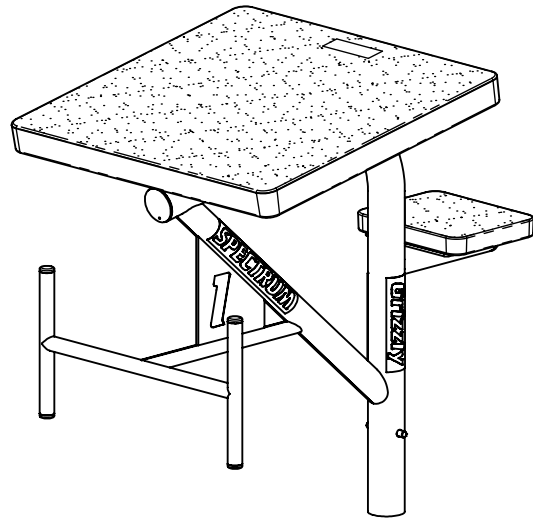
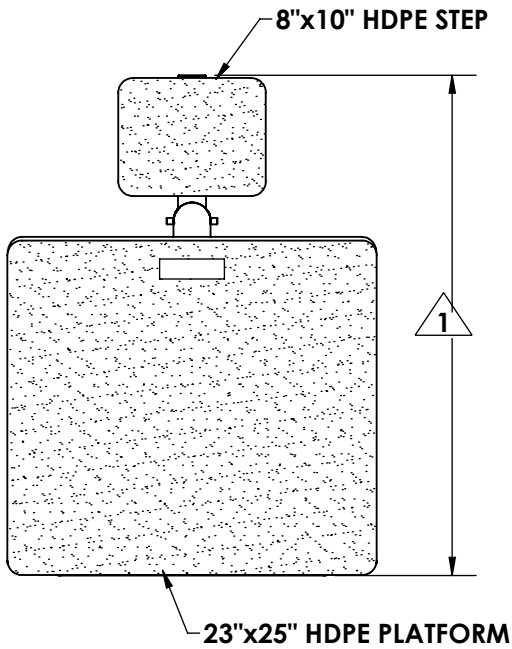


**STARTLINE  
MODEL - GRIZZLY SP**



**NOTE:**

1 DIMENSIONS VARY WITH SPECIFIC APPLICATIONS. SPECIFICATIONS ARE NOMINAL AND ARE SUBJECT TO CHANGE. PLEASE CONTACT SPECTRUM PRODUCTS FOR CUSTOM APPLICATIONS.

**SPECTRUM**  
Products

7100 Spectrum Lane  
Missoula, Montana 59808  
406.542.9781 \* 800.791.8056  
Fax: 406.542.1158  
www.spectrumproducts.com

**ENGINEERING DATA**

|            |                            |
|------------|----------------------------|
| PRODUCT:   | GRIZZLY SP                 |
| PRODUCT #: | 21655-00                   |
| REVISION:  | A                          |
| MATERIAL:  | 300 SERIES STAINLESS STEEL |