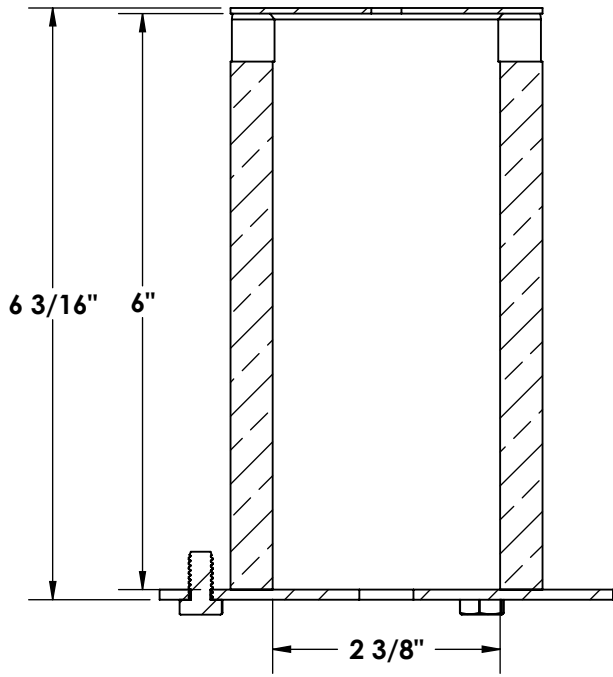
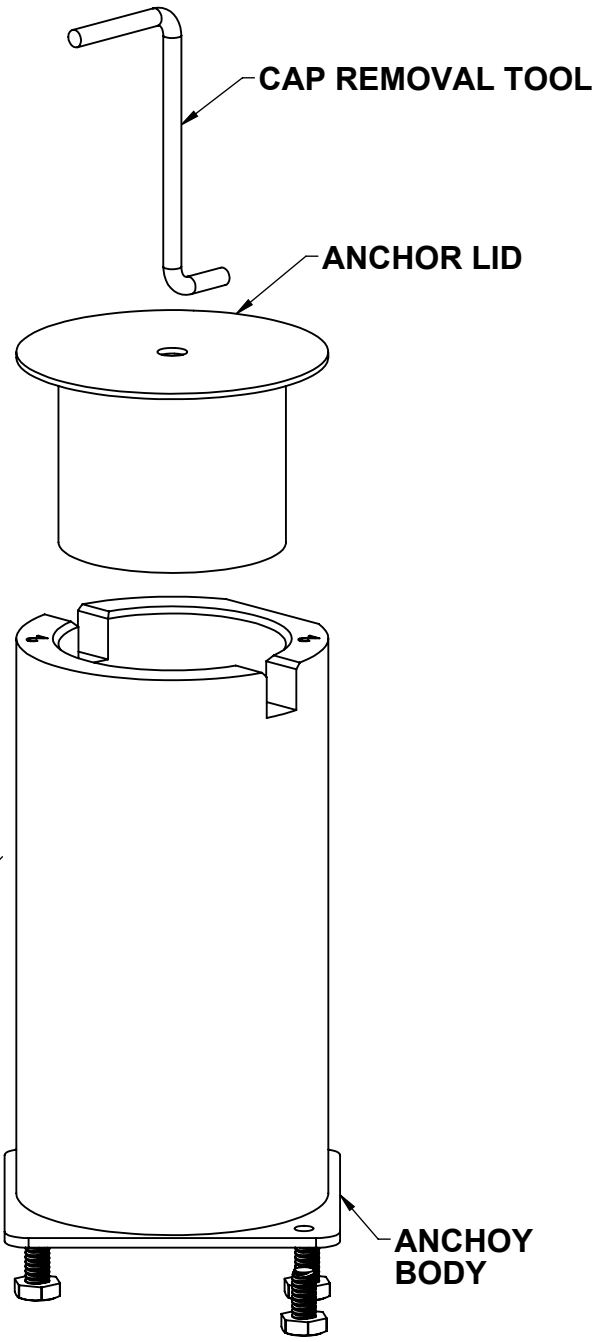
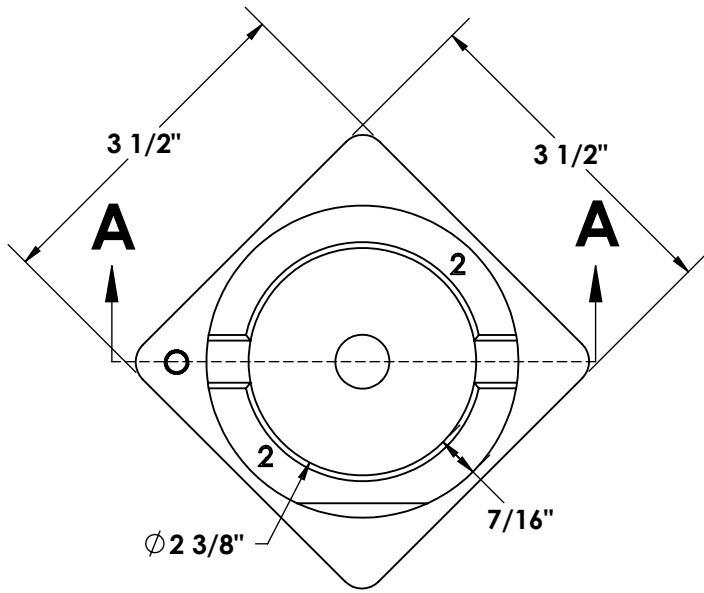


**ANCHORS AND ACCESSORIES  
MODEL - SINGLE POST ANCHOR II**



**SECTION A-A**



**NOTE:**

1 DIMENSIONS VARY WITH SPECIFIC APPLICATIONS.  
SPECIFICATIONS ARE NOMINAL AND ARE SUBJECT TO CHANGE.  
PLEASE CONTACT SPECTUM PRODUCTS FOR CUSTOM APPLICATIONS.



7100 Spectrum Lane  
Missoula, Montana 59808  
406.542.9781 \* 800.791.8056  
Fax: 406.542.1158  
www.spectrumproducts.com

**ENGINEERING DATA**

PRODUCT:	SINGLE POST ANCHOR II
PRODUCT #:	21700-02
REVISION:	C
MATERIAL:	BRONZE/STAINLESS STEEL