

NOTE:

Field measurements are required for the product you wish to order. Please provide product accurate measurements to eliminate delays or errors in the design and manufacturing.

* These dimensions are standard production for Spectrum Aquatics and meet FINA, NCAA, USAS, USMS, and NFHS height requirements. Please contact your Spectrum Aquatics sales representative if you would like to vary these dimensions.

Step side is determined by standing behind your block while facing the pool.

If your deck has a slope, dimension A should be taken from the surface of the water to the level where the starting platform post meets the deck.

\$ Call for additional pricing

SUBMITTED BY: _____
 PRINT SIGNATURE

DATE: _____

- REQUEST A FINAL DRAWING
- PROCEED WITH PRODUCTION

BY SIGNING ANYPLACE ON THIS SUBMITTAL, YOU ARE APPROVING AS IS - NO CHANGES REQUIRED.

THIS IS YOUR SUBMITTAL. SPECTRUM PRODUCTS HAS MADE EVERY EFFORT TO DESIGN TO YOUR SPECIFICATIONS. PLEASE REVIEW THIS SUBMITTAL THOROUGHLY. SPECTRUM PRODUCTS CANNOT BE RESPONSIBLE FOR ERRORS AFTER THE SUBMITTAL(S) HAS BEEN SIGNED AND APPROVED BY YOU AND/OR YOUR CUSTOMER. PLEASE INSURE ALL DIMENSIONS ARE ACCURATE AND CORRECT. IT IS THE SOLE RESPONSIBILITY OF THE CUSTOMER TO ENSURE THAT THE PRODUCT MEETS ALL APPLICABLE CODES.

FRAME
 DIMENSION A: _____ DIMENSION B: _____
 (SETBACK) (WATER DRAFT)

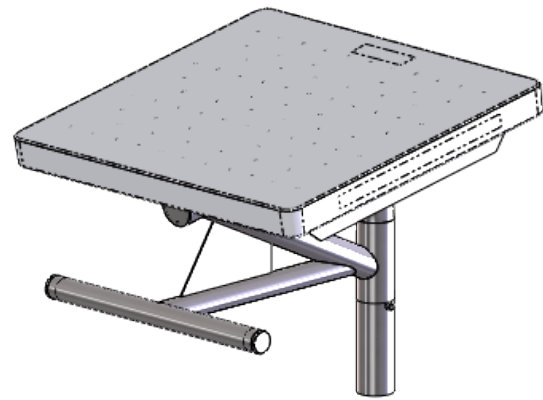
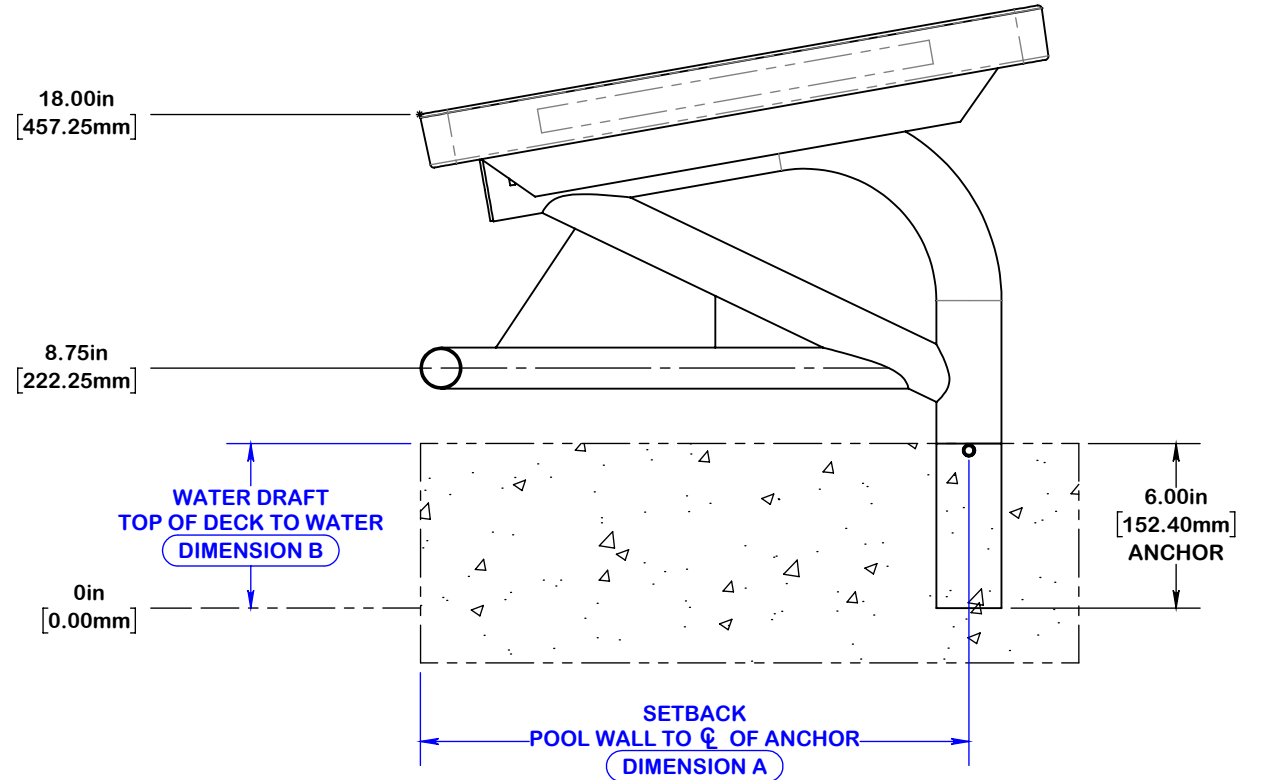
- 304L STAINLESS STEEL (STANDARD)
- 316L STAINLESS STEEL (\$)
- 304L STAINLESS STEEL - POWDER COATED (\$)

POWDER COLOR: _____

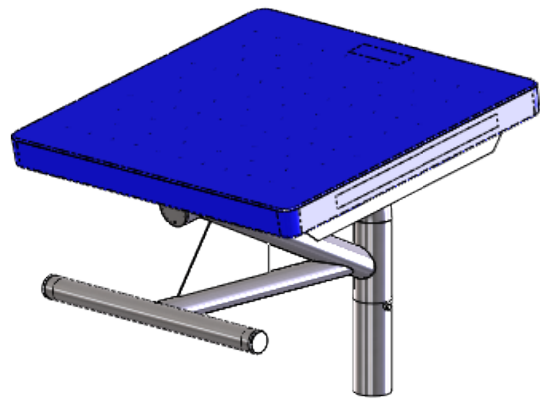
- 316L STAINLESS STEEL - POWDER COATED (\$)

POWDER COLOR: _____

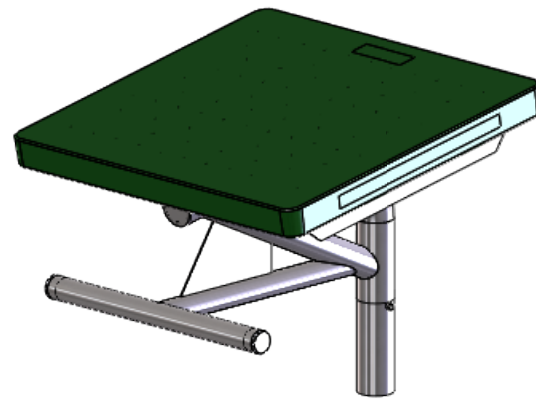
TOP - (COLOR)
 CHECK OPTION BELOW



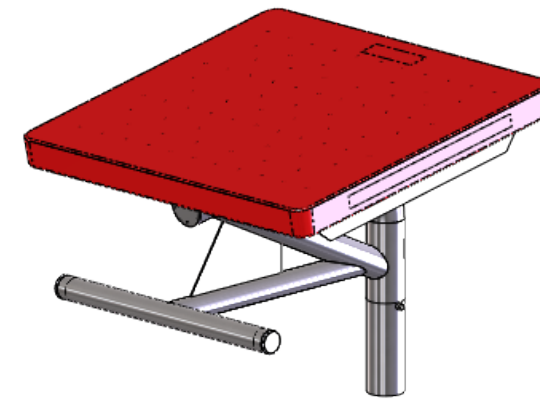
QUICKSILVER - WHITE (STANDARD)



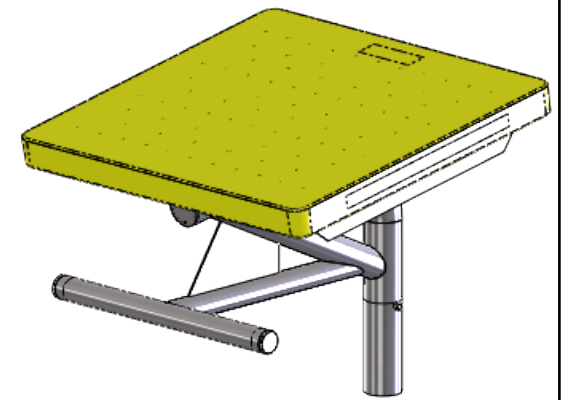
QUICKSILVER - BLUE



QUICKSILVER - GREEN



QUICKSILVER - RED



QUICKSILVER - YELLOW



A PLAYCORE Company

7100 Spectrum Lane Missoula, Montana 59808
 800.791.8056 www.spectrumaquatics.com

ENGINEERING DATA

PRODUCT:	QUICKSILVER - 20.00 SETBACK 6.00 W.D.			
MODEL #:	57289	CATALOG #:	57289	REVISION: A
MATERIAL:	304L STAINLESS STEEL			
FINISH #:	PASSIVATE IAW ASTM A967			

NOTE:

△ DIMENSIONS VARY WITH SPECIFIC APPLICATIONS. SPECIFICATIONS ARE NOMINAL AND ARE SUBJECT TO CHANGE. PLEASE CONTACT SPECTRUM AQUATICS FOR CUSTOM APPLICATIONS

SPECIAL REQUESTS: