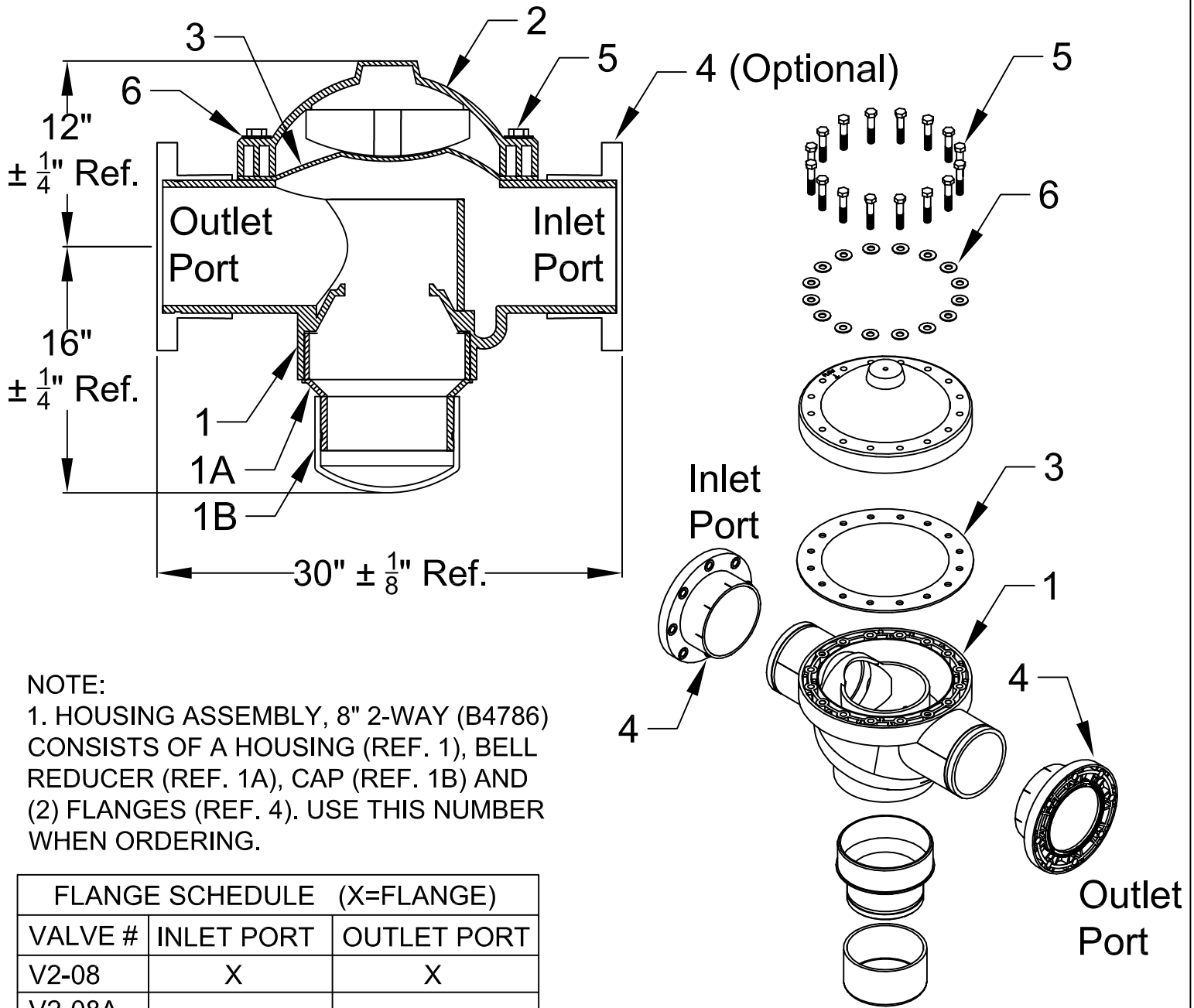


STARK 8" 2-WAY VALVE ASSEMBLY



FLANGE SCHEDULE (X=FLANGE)		
VALVE #	INLET PORT	OUTLET PORT
V2-08	X	X
V2-08A		

Ref.	Qty:	Part #:	Description:
1	1	B4900	8" HOUSING, 2-WAY (DIAPHRAGM VALVE)
1A	1	B4912	10" x 8" BELL REDUCER (PRE-GLUED TO HOUSING)
1B	1	847-080	8" SCH. 80 PVC CAP (PRE-GLUED TO HOUSING)
2	1	B4788	COVER/PLATE ASSEMBLY, 8" 2-WAY VALVE
3	1	B4783	DIAPHRAGM, 8" VALVE (WITHOUT HOLE)
4	*	B4907	8" FLANGE, SOLID (DIAPHRAGM VALVE)
5	16	94936	HEX HEAD BOLT, 3/4"-10 x 2 3/4" T316L S/S
6	16	94860	WASHER, .765" ID x 1.25" OD, T316L S/S
7	1	B4642	1/4" NPT x 3/8" OD QUICK ELBOW (NOT SHOWN)

This data represents the latest knowledge available to us at time of presentation. However Paragon Aquatics and others involved in gathering and presenting this drawing assume no liability for its use.
 © 2011 Paragon Aquatics

PARAGON AQUATICS
 Pentair Water
 Commercial Pool & Aquatics

1351 Route 55
 LaGrangeville, NY 12540
 Phone: 845-463-7200
 Fax: 845-463-7291
 www.paragonaquatics.com

Drawn by: JP	Date: 12/23/04	Title: 8" DIAPHRAGM VALVE ASSEMBLY DRAWING		
Approved by: JP	Date: 12/23/04	Drawing Number: AI-V2-08	Rev Ltr: F	Sheet: 1 of 1